

CLARK-HURTH

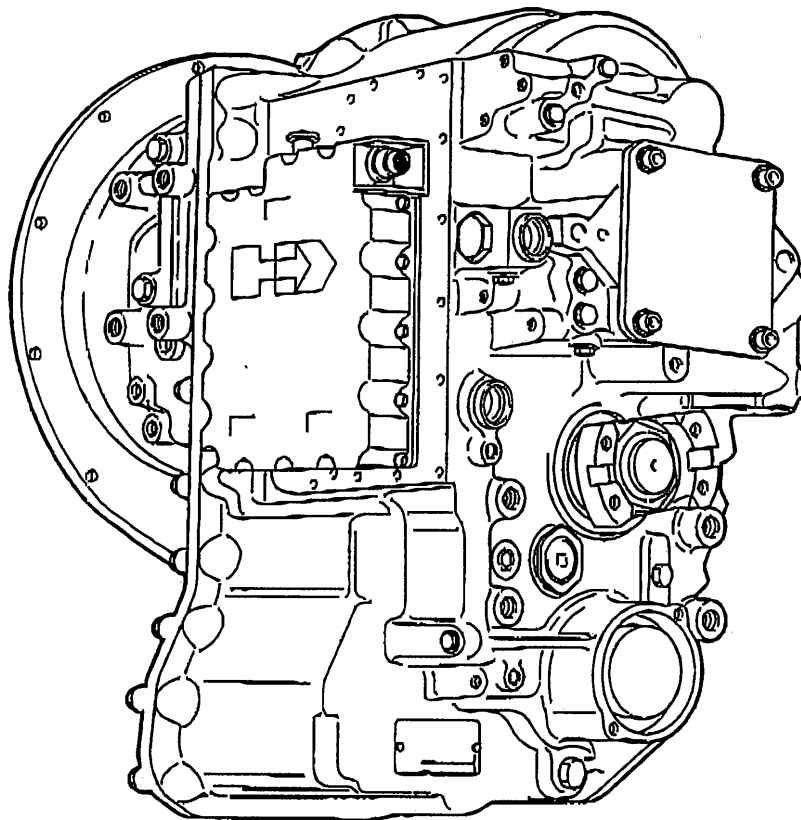
COMPONENTS

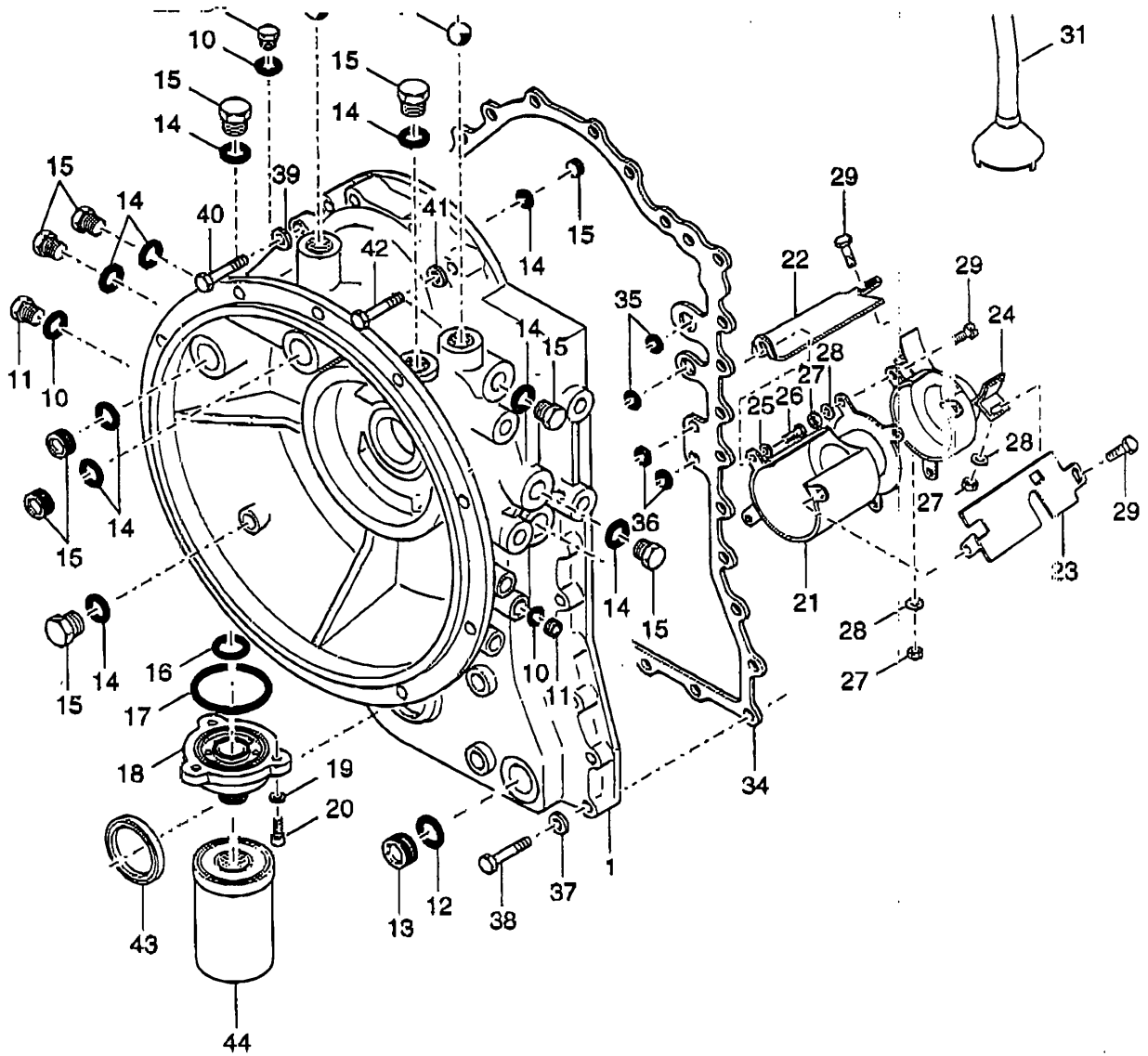
MODEL NO. 1111FT16000-10

PART NO. 4260938

DATE 12-6-97

T16000





<u>Item</u>	<u>Qty</u>	<u>Part N°</u>	<u>%</u>	<u>Description</u>
1	1	4203970	E	Converter Housing Assembly
2	1	10J24		Ball
3	1	4204243		By-pass Spring
4	1	60K30030		Plug "O" Ring - Part Of Item 5
5	1	4204244		Plug - Including Item 4
6	1	10J24		Ball

QTY	UNIT	PART NO	DESCRIPTION
7	1	4203857	Safety Valve Spring
8	1	76K123	Plug "O" Ring - Part Of Item 9
9	1	4203848	Plug - Including Item 8
10	3	76K11	Plug "O" Ring - Part Of Item 11
11	3	4203846	Plug - Including Item 10
12			Not Used On This Model
13			Not Used On This Model
14	10	76K116	Plug "O" Ring - Part Of Item 15
15	10	4203847	Plug - Including Item 14
16	1	4204245	B Filter Adaptor "O" Ring
17	1	25K030228	B Filter Adaptor "O" Ring
18	1	4203643	Filter Adaptor
19	3	6EM100	Filter Adaptor Screw Lockwasher
20	3	1GM1025	Filter Adaptor Screw
21	1	4204268	Oil Baffle (Front)
22	1	4204270	Oil Baffle Plate
23	1	4204271	Oil Baffle Plate
24	1	4204269	Oil Baffle (Rear)
25	3	6EM100	Oil Baffle Mounting Screw Lockwasher
26	3	1GM1016	Oil Baffle Mounting Screw
27	5	4DM6	Oil Baffle Plate Mounting Screw Nut
28	5	6EM60	Oil Baffle Plate Mounting Screw Nut Lockwasher
29	5	1GM616	Oil Baffle Plate Mounting Screw
30	1	76K218	B Suction Tube "O" Ring
31	1	4204237	Suction Tube Assembly
32	2	6EM100	Suction Tube Mounting Screw Lockwasher

CLARK-HURTH

COMPONENTS

Date : 21.01.97

Revised :

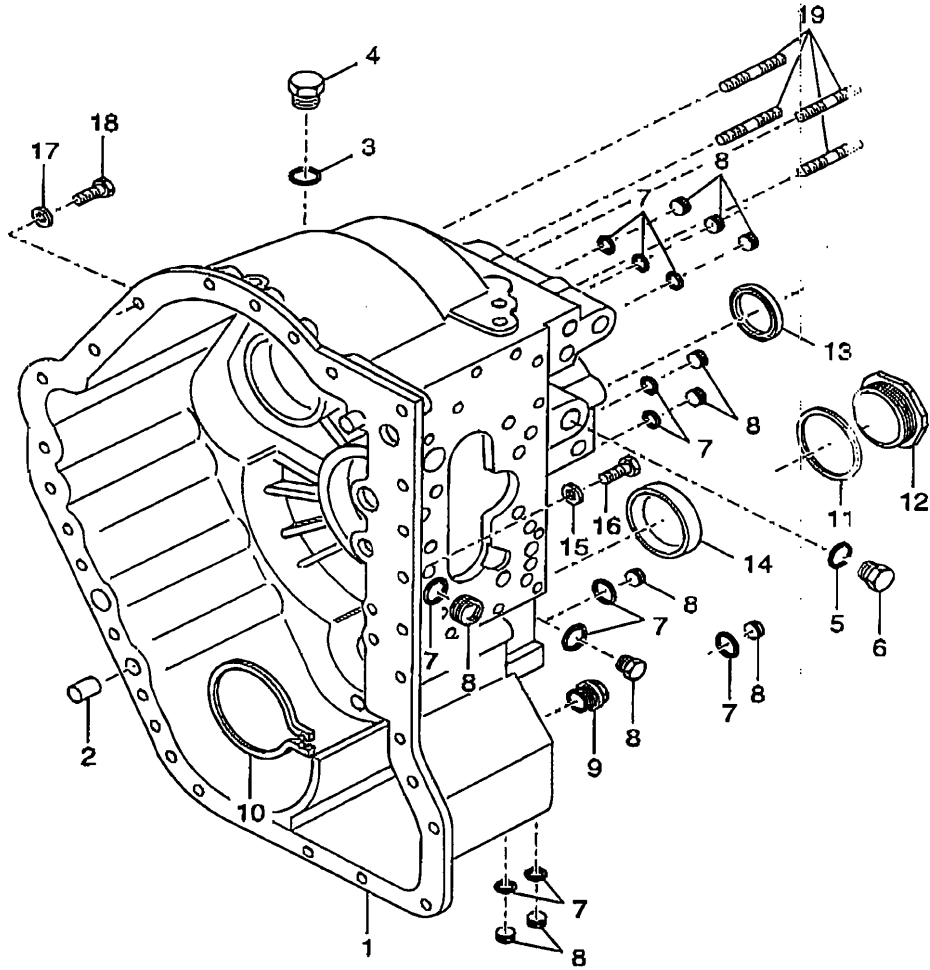
CLARK MODEL : 4500702 GROUP

<u>Item</u>	<u>Qty</u>	<u>Part N°</u>	<u>%</u>	<u>Description</u>
33	2	1GM1016		Suction Tube Mounting Screw
34	1	4203901	B	Converter Housing To Transmission Case Gasket
35	2	60K020026	B	Converter Housing To Transmission Case "O" Ring
36	2	76K13	B	Converter Housing To Transmission Case "O" Ring
37	14	6EM100		Converter Hsg. To Transm. Case Screw Lock washer
38	14	7CM1050		Converter Hsg. To Transm. Case Screw
39	1	6EM100		Converter Hsg. To Transm. Case Screw Lock washer
40	1	7CM1030		Converter Hsg. To Transm. Case Screw
41	5	6EM100		Converter Hsg. To Transm. Case Screw Lock washer
42	5	7CM1080		Converter Hsg. To Transm. Case Screw
43	1	4203860	B	Output Shaft Seal (Front)
44	1	4203691	B	Filter Assembly

.% Part stock recommendation

T16000

TRANSMISSION CASE GROUP



CLARK-HURTH

COMPONENTS

Date : 10.06.97

Revised : 19.08.98

CLARK MODEL : 4500708

A
GROUP

T16000

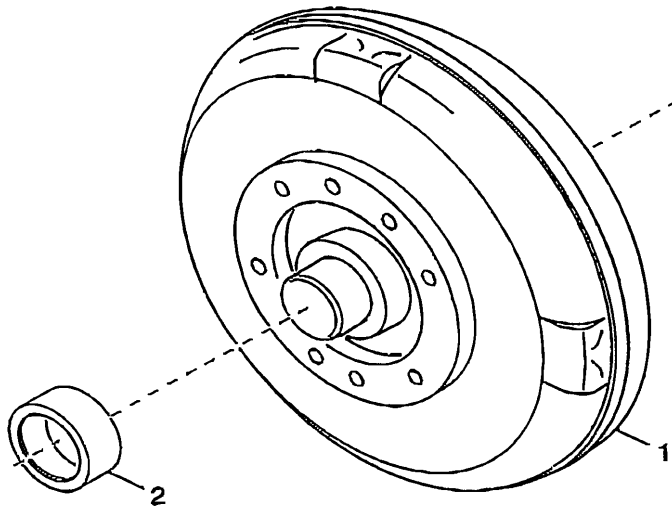
TRANSMISSION CASE GROUP

<u>Item</u>	<u>Qty</u>	<u>Part N°</u>	<u>%</u>	<u>Description</u>
1	1	4204281	E	Transmission Case Assembly
2	2	4203907		Transmission Case To Converter Housing Pin
3	1	76K116		Plug "O" Ring - Part Of Item 4
4	1	4203847		Plug - Including Item 3
5	1	76K210		Plug "O" Ring - Part Of Item 6
6	1	4203849		Plug - Including Item 5
7	11	76K11		Plug "O" Ring - Part Of Item 8
8	11	4203846		Plug - Including Item 7
9	1	4203567		Magnetic Drain Plug
10	1	234229		Output Shaft Rear Bearing Snap Ring
11	1	219373	B	Plug Gasket
12	1	4204249		Plug
13	1	4203860		Output Shaft Seal (Rear)
14	1	4204250		Output Shaft Bore Plug
15	5	6EM100		Converter Hsg. To Transm. Case Screw Lockwasher
16	5	7CM1030		Converter Hsg. To Transm. Case Screw
17	4	6EM100		Converter Hsg. To Transm. Case Screw Lockwasher
18	4	7CM1030		Converter Hsg. To Transm. Case Screw
19	4	4204248		Stud

% - Part Stock Recommendation

T16000

TORQUE CONVERTER GROUP



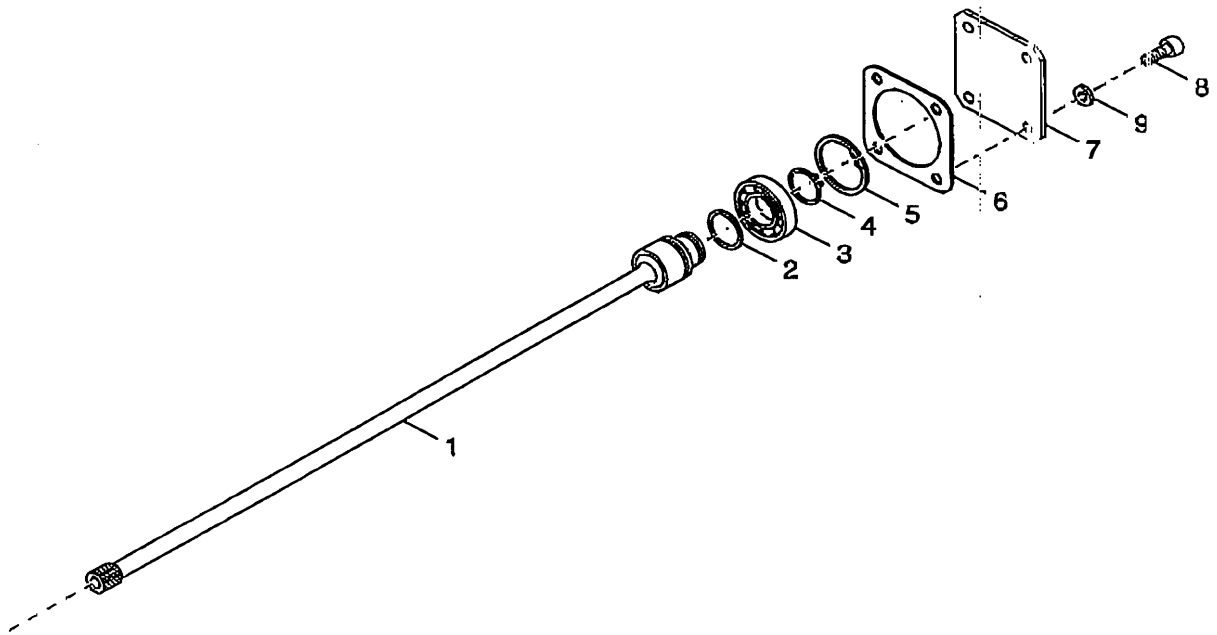


Date : 17.04.96
Revised :
CLARK MODEL : 4500668 GROUP

T16000
TORQUE CONVERTER GROUP

<u>Item</u>	<u>Qty</u>	<u>Part N°</u>	<u>%</u>	<u>Description</u>
1	1	4203960	E	Torque Converter & Bushing Assembly - Including Item 2
2	1	4203948		Torque Converter Pilot Bushing - Including In Item 1

% - Part Stock Recommendation





Date : 10.06.97

Revised :

CLARK MODEL : 4500703

GROUP

T16000

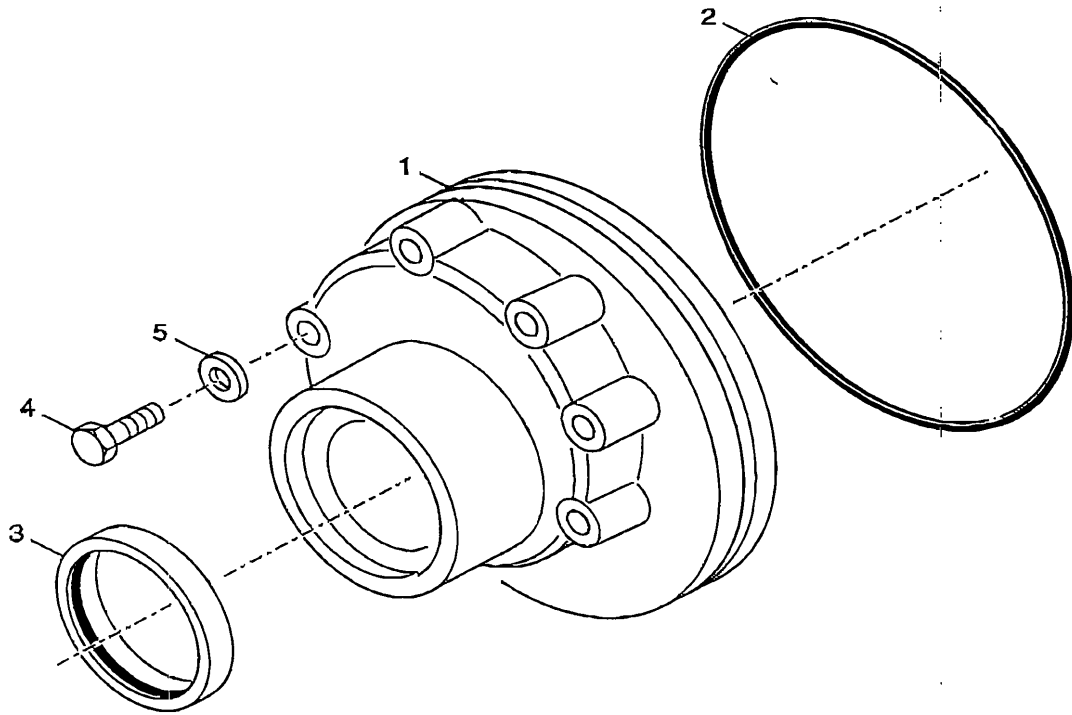
PUMP DRIVE GROUP

<u>Item</u>	<u>Qty</u>	<u>Part N°</u>	<u>%</u>	<u>Description</u>
1	1	4204235	E	Pump Drive Shaft
2	1	4203867	B	Piston Ring
3	1	230829	D	Pump Drive Shaft Bearing
4	1	5JM40		Pump Drive Shaft Bearing Snap Ring
5	1	7JM68		Pump Drive Shaft Bearing Retaining Ring
6	1	4201747	B	Pump Hole Cover Gasket
7	1	216355		Pump Hole Cover
8				Not Used On This Model
9	4	4E8		Pump Hole Cover Stud Nut Lockwasher
10	4	4204273		Pump Hole Cover Spacer Not Illustrated (for shipping)
11	4	62D8		Pump Hole Cover Stud Nut Not Illustrated (for shipping)
12	4	4204280		Aux. Pump Mounting Stud Nut Not Illustrated

% - Part Stock Recommendation

T16000

CHARGING PUMP GROUP



CLARK-HURTH

COMPONENTS

Date : 21.01.97

Revised :

CLARK MODEL : 4500670

GROUP

T16000

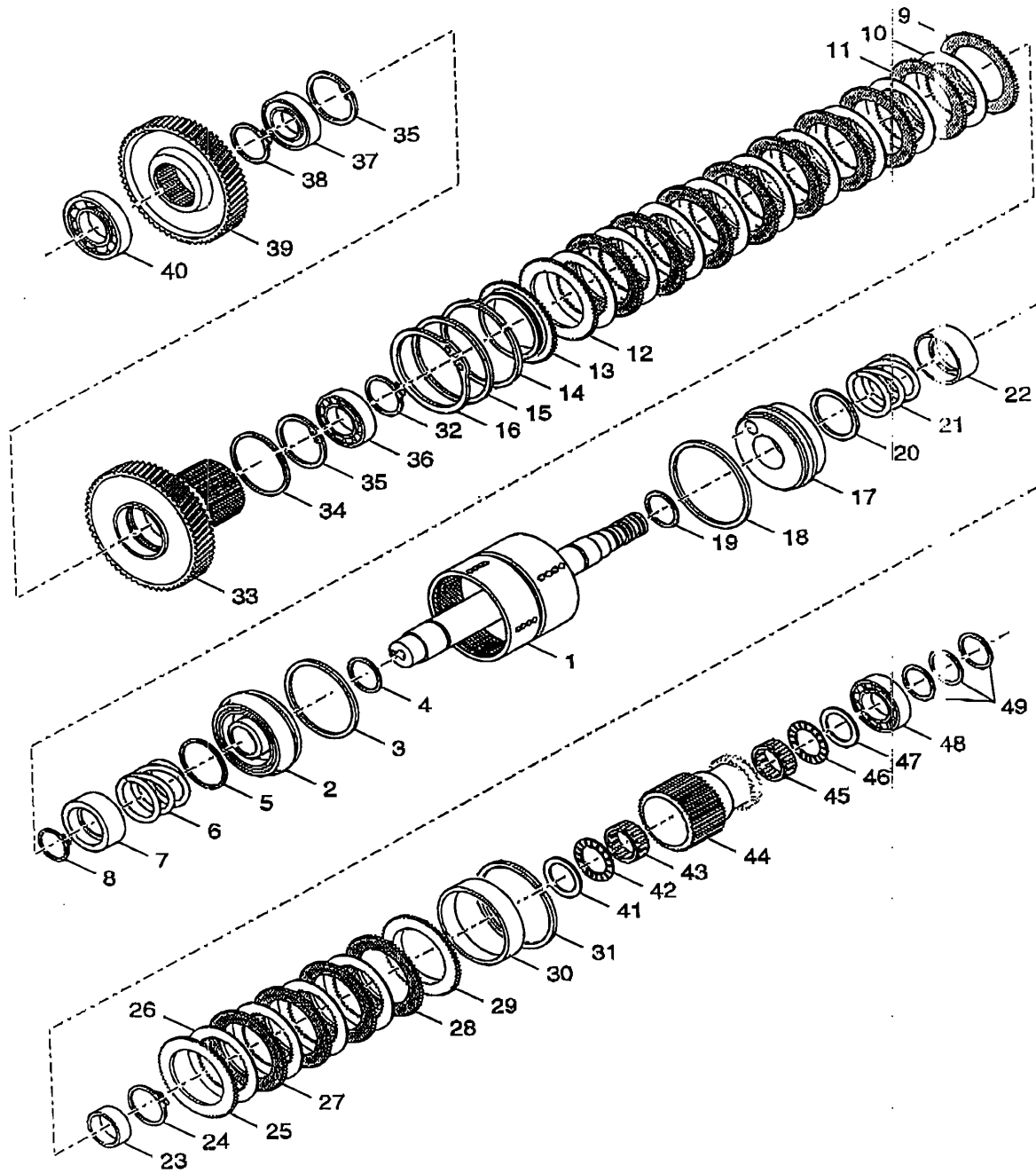
CHARGING PUMP GROUP

<u>Item</u>	<u>Qty</u>	<u>Part N°</u>	<u>%</u>	<u>Description</u>
1	1	4203850	D	Charging Pump Assembly - Including Items 2 And 3
2	1	4203844	B	Charging Pump "O" Ring
3	1	4204279	B	Charging Pump Oil Seal
4	6	1CM855		Charging Pump Mounting Screw
5	6	4203428		Charging Pump Mounting Screw Seal Washer

% - Part Stock Recommendation

T16000

FWD LOW / FWD HIGH SHAFT AND GEARS GROUP



CLARK-HURTH

COMPONENTS

Date : 10.06.97

Revised :

CLARK MODEL : 4500704

GROUP

T16000

FWD LOW / FWD HIGH SHAFT AND GEARS GROUP

<u>Item</u>	<u>Qty</u>	<u>Part N°</u>	<u>%</u>	<u>Description</u>
1	1	4203997	E	Fwd Low / Fwd High Shaft Drum & Plug Ass'y.
2	1	4203742	C	Clutch Piston & Seals Ass'y. - Incl. Items 3 And 4
3	1	237032	B	Clutch Piston Outer Seal - Incl. In Item 2
4	1	234113	B	Clutch Piston Inner Seal - Incl. In Item 2
5	1	4203876	D	Clutch Piston Wear Plate
6	1	4203878	D	Piston Return Spring
7	1	4203877	D	Spring Retainer
8	1	234350	B	Retainer Snap Ring
9	1	4204275	D	Clutch Outer Half Disc
10	9	4204276	D	Clutch Inner Disc
11	8	4204274	D	Clutch Outer Disc
12	1	4204275		Clutch Outer Half Disc
13	1	4204240	D	Clutch Disc Backing Plate
14	1	234111	C	Clutch Disc Backing Plate Snap Ring
15	1	4204241		Clutch Disc Backing Plate Spacer
16	1	5JM115		Backing Plate Spacer Snap Ring
17	1	4203742		Clutch Piston & Seals Ass'y. - Incl. Items 18 And 19
18	1	237032		Clutch Piston Outer Seal - Incl. In Item 17
19	1	234113		Clutch Piston Inner Seal - Incl. In Item 17
20	1	4203876		Clutch Piston Wear Plate
21	1	4203878		Piston Return Spring
22	1	4203877		Spring Retainer
23	1	4203879		Clutch Spring Fwd. High Spacer
24	1	234350		Retainer Snap Ring
25	1	4204275		Clutch Outer Half Disc
26	4	4204276		Clutch Inner Disc
27	3	4204274		Clutch Outer Disc
28	1	4204275		Clutch Outer Half Disc
29	1	4204253		Clutch Disc Backing Plate
30	1	4204277		Clutch Plate Fwd / High Spacer
31	1	234111		Clutch Disc Backing Plate Snap Ring
32	1	5JM50	C	Bearing Snap Ring

CLARK-HURTH

COMPONENTS

Date : 10.06.97

Revised :

CLARK MODEL : 4500704

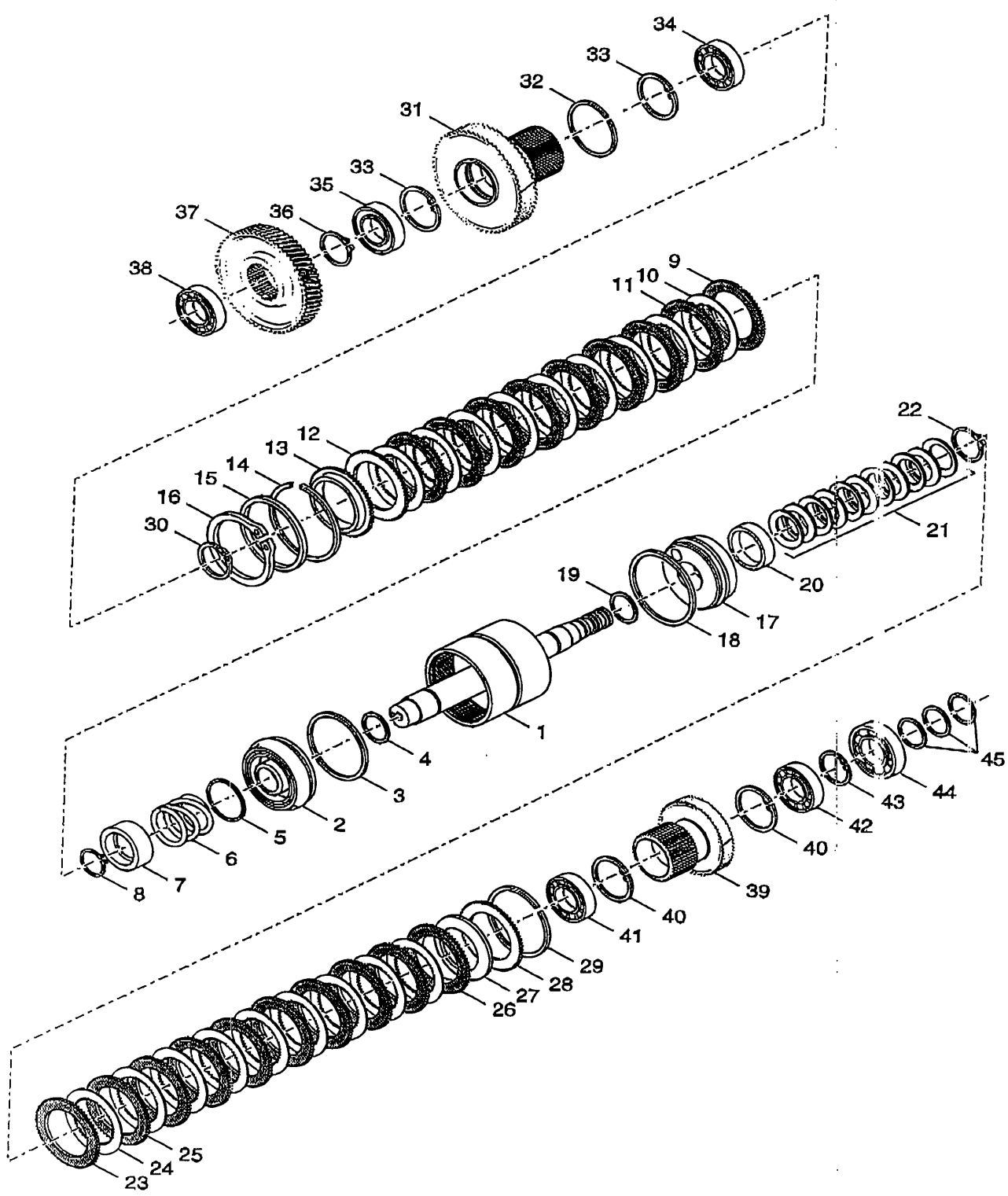
GROUP

<u>Item</u>	<u>Qty</u>	<u>Part N°</u>	<u>%</u>	<u>Description</u>
33	1	4203987	E	Forward Low Clutch Gear (54T)
34	1	4204255	B	Clutch Gear Piston Ring
35	2	7JM80	C	Forward Low Clutch Gear Bearing Locating Ring
36	1	230885	C	Forward Low Clutch Gear Inner Bearing
37	1	4204256	C	Forward Low Clutch Gear Outer Bearing - Shield Out
38	1	5JM50		Bearing Snap Ring
39	1	4203980	E	Forward Driven Gear (42T)
40	1	4204257	C	Fwd Low / Fwd High Shaft Front Bearing
41	1	4203946		Thrust Bearing Spacer
42	1	4203947	C	Forward High Clutch Gear Thrust Bearing
43	1	4203945	C	Forward High Clutch Gear Needle Bearing
44	1	4203985	E	Forward High Clutch Gear (34T)
45	1	4203945		Forward High Clutch Gear Needle Bearing
46	1	4203947		Forward High Clutch Gear Thrust Bearing
47	1	4203946		Thrust Bearing Spacer
48	1	237972	C	Fwd Low / Fwd High Shaft Rear Bearing
49	3	4203872	B	Fwd Low / Fwd High Shaft Piston Ring

% - Part stock recommendation

T16000

REVERSE / 1ST SHAFT AND GEARS GROUP





Date : 11.06.97

Revised :

CLARK MODEL : 4500705

GROUP

T16000

REVERSE / 1ST SHAFT AND GEARS GROUP

<u>Item</u>	<u>Qty</u>	<u>Part N°</u>	<u>%</u>	<u>Description</u>
1	1	4203997	E	Reverse / 1st Shaft Drum & Plug Ass'y.
2	1	4203742		Clutch Piston & Seals Ass'y. - Incl. Items 3 And 4
3	1	237032		Clutch Piston Outer Seal - Incl. In Item 2
4	1	234113		Clutch Piston Inner Seal - Incl. In Item 2
5	1	4203876		Clutch Piston Wear Plate
6	1	4203878		Piston Return Spring
7	1	4203877		Spring Retainer
8	1	234350		Retainer Snap Ring
9	1	4204275		Clutch Outer Half Disc
10	9	4204276		Clutch Inner Disc
11	8	4204274		Clutch Outer Disc
12	1	4204275		Clutch Outer Half Disc
13	1	4204240		Clutch Disc Backing Plate
14	1	234111		Clutch Disc Backing Plate Snap Ring
15	1	4204241		Clutch Disc Backing Plate Spacer
16	1	5JM115		Backing Plate Spacer Snap Ring
17	1	4203742		Clutch Piston & Seals Ass'y. - Incl. Items 18 And 19
18	1	237032		Clutch Piston Outer Seal - Incl. In Item 17
19	1	234113		Clutch Piston Inner Seal - Incl. In Item 17
20	1	4203859		Clutch Piston Wear Plate
21	1	4203887		Piston Return Spring (Belleville Washer)
22	1	234350		Snap Ring
23	1	4204275		Clutch Outer Half Disc
24	9	4204276		Clutch Inner Disc
25	8	4204274		Clutch Outer Disc
26	1	4204275		Clutch Outer Half Disc
27	1	4203880	D	Modulation Spring
28	1	4204253		Clutch Disc Backing Plate
29	1	234111		Clutch Disc Backing Plate Snap Ring
30	1	5JM50		Bearing Snap Ring
31	1	4203987		Reverse Clutch Gear (54T)
32	1	4204255		Clutch Gear Piston Ring

CLARK-HURTH

COMPONENTS

Date : 11.06.97

Revised :

CLARK MODEL : 4500705

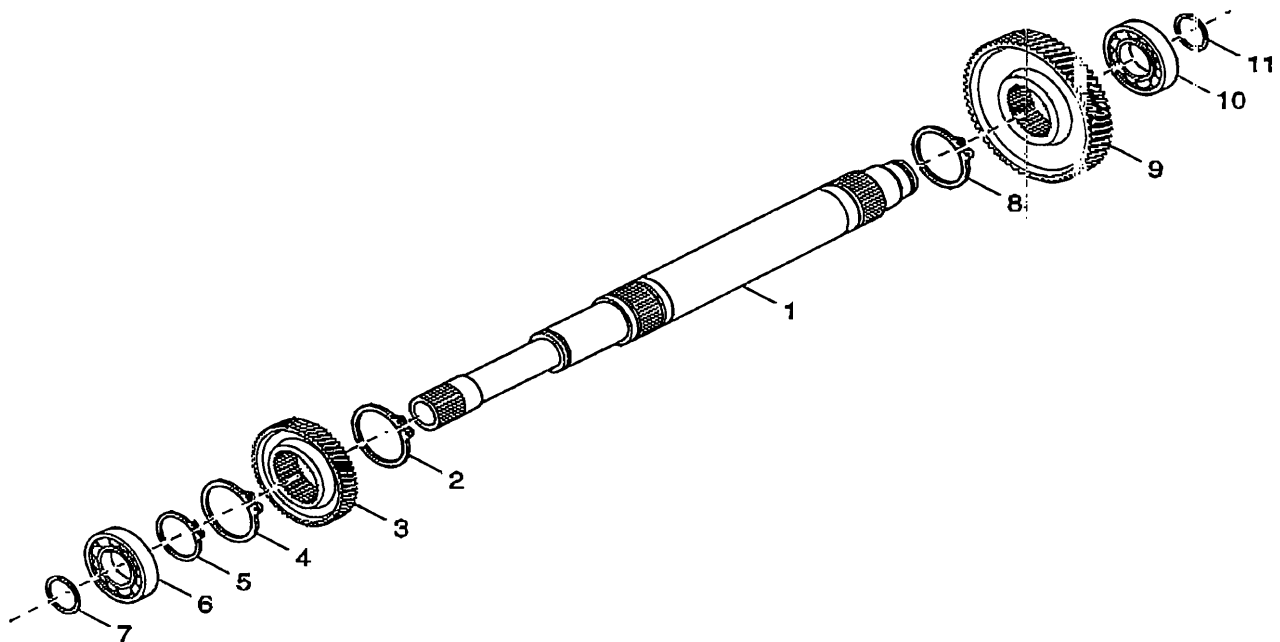
GROUP

<u>Item</u>	<u>Qty</u>	<u>Part N°</u>	<u>%</u>	<u>Description</u>
33	2	7JM80		Reverse Clutch Gear Locating Ring
34	1	230885		Reverse Clutch Gear Inner Bearing
35	1	4204256		Reverse Clutch Gear Outer Bearing - Shield Out
36	1	5JM50		Bearing Snap Ring
37	1	4203981	E	Reverse Driven Gear (50T)
38	1	4204257		Reverse / 1st Shaft Front Bearing
39	1	4203986	E	1st Clutch Gear (30T)
40	2	7JM75	C	1st Clutch Gear Bearing Locating Ring
41	1	230860	C	1st Clutch Gear Inner Bearing
42	1	233390	C	1st Clutch Gear Outer Bearing - Shield Out
43	1	5JM45	C	Bearing Snap Ring
44	1	501.0118	C	Reverse / 1st Shaft Rear Bearing
45	3	4203872		Reverse / 1st Shaft Piston Ring

% - Part Stock Recommendation

T16000

INPUT SHAFT GROUP





Date : 21.01.97

Revised :

CLARK MODEL : 4500695 GROUP

T16000

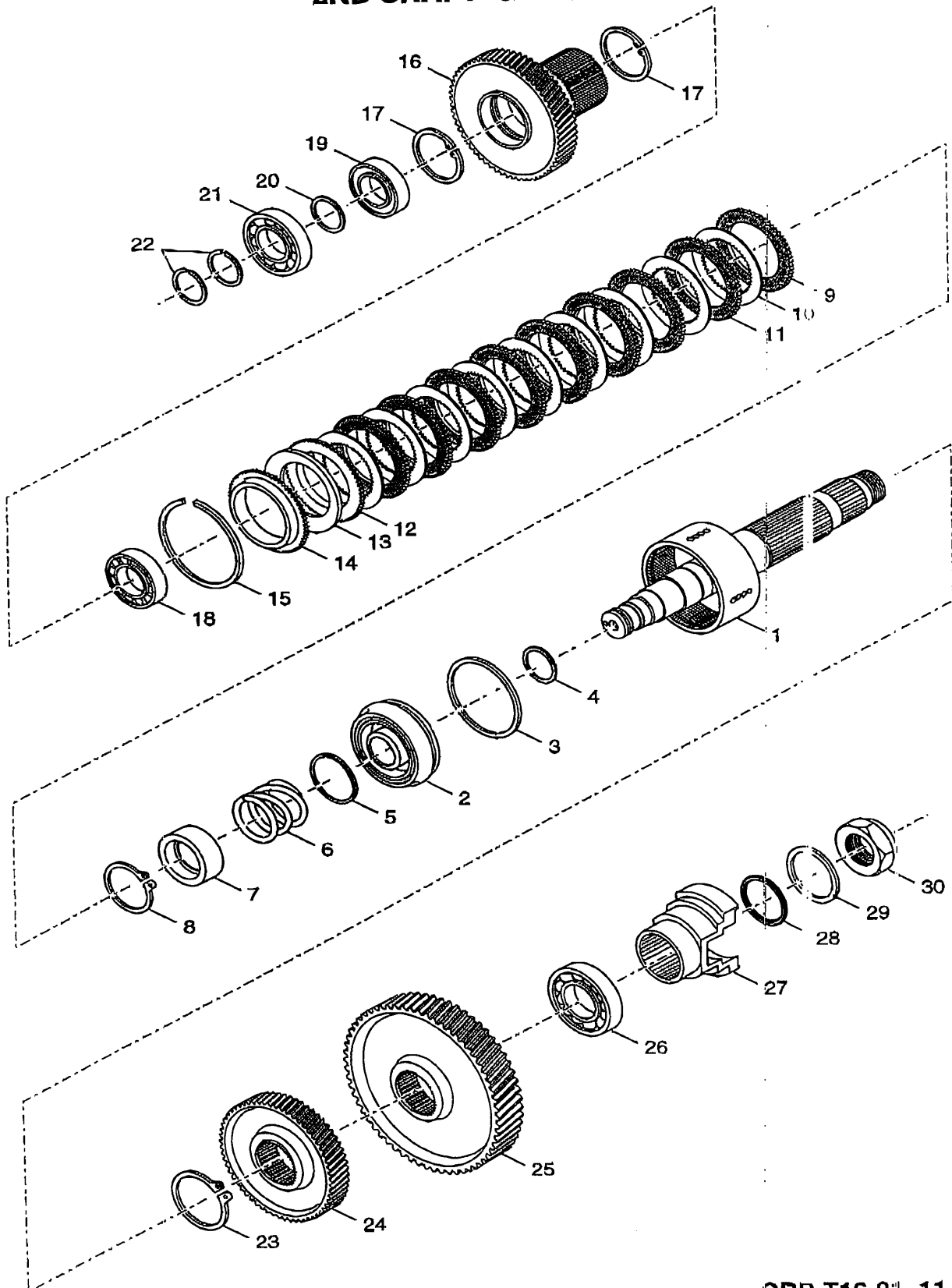
INPUT SHAFT GROUP

<u>Item</u>	<u>Qty</u>	<u>Part N°</u>	<u>%</u>	<u>Description</u>
1	1	4204232	E	Input Shaft
2	1	4204251		Forward Low Gear Gear Snap Ring
3	1	4203978	E	Forward Low Gear (26T)
4	1	5JM50		Forward Low Gear Snap Ring
5	1	5JM40		Input Shaft Front Bearing Snap Ring
6	1	501.0118	D	Input Shaft Front Bearing
7	1	4203872	B	Input Shaft Piston Ring
8	1	5JM50		Forward High Gear Snap Ring
9	1	4203977	E	Forward High Gear (62T)
10	1	501.0118		Input Shaft Rear Bearing
11	1	4203872		Input Shaft Piston Ring

% - Part Stock Recommendation

T16000

2ND SHAFT GROUP





Date : 11.06.97

Revised :

CLARK MODEL : 4500706

GROUP

T16000

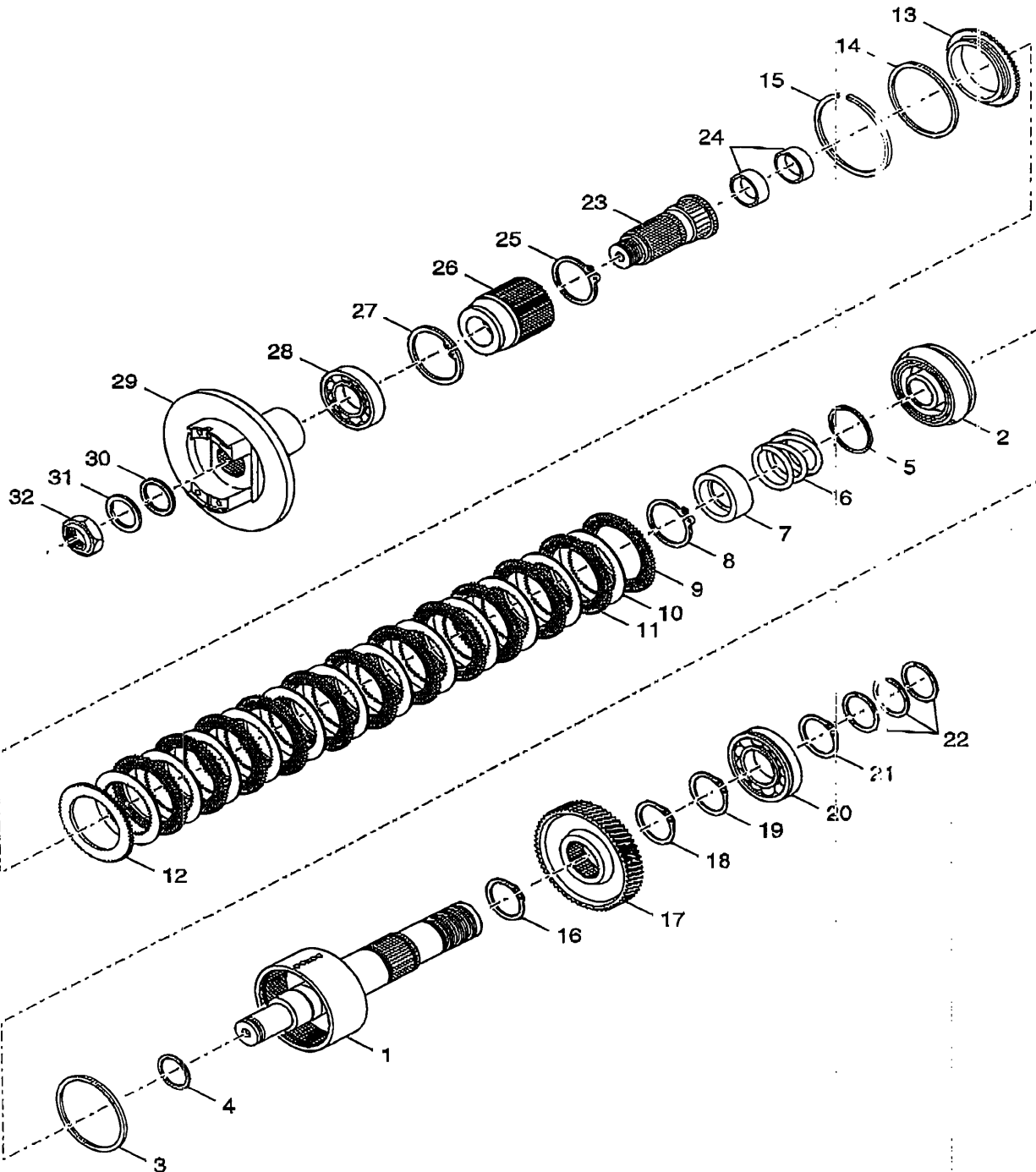
2ND SHAFT GROUP

<u>Item</u>	<u>Qty</u>	<u>Part N°</u>	<u>%</u>	<u>Description</u>
1	1	4203998		2nd Shaft, Hub, Drum And Plug Assembly
2	1	4203742		Clutch Piston & Seals Ass'y. - Incl. Items 3 And 4
3	1	237032		Clutch Piston Outer Seal - Incl. In Item 2
4	1	234113		Clutch Piston Inner Seal - Incl. In Item 2
5	1	4203876		Clutch Piston Wear Plate
6	1	4203878		Piston Return Spring
7	1	4203877		Spring Retainer
8	1	234350		Retainer Snap Ring
9	1	4204275		Clutch Outer half Disc
10	9	4204276		Clutch Inner Disc
11	8	4204274		Clutch Outer Disc
12	1	4204275		Clutch Outer Half Disc
13	1	4203880		Modulation Spring
14	1	4204253		Clutch Disc Backing Plate
15	1	234111		Clutch Disc Backing Plate Snap Ring
16	1	4203984		2nd Clutch Gear (52T)
17	2	7JM75		2nd Clutch Gear Bearing Locating Ring
18	1	230860		2nd Clutch Gear Inner Bearing
19	1	233390		2nd Clutch Gear Outer Bearing - Shield Out
20	1	4203899		Bearing Support Washer
21	1	501.0118		2nd Shaft Front Bearing
22	2	4203872		2nd Shaft Piston Ring
23	1	249936	C	Gear Retainer Snap Ring
24	1	4203979	E	Lower Output Drive Gear (41T)
25	1	4203982	E	Upper Output Gear (59T)
26	1	4204258	C	2nd Shaft Rear Bearing
27	1	4203852	E	Upper Output Flange (Yoke 1410)
28	1	25K60128	B	Output Flange "O" Ring
29	1	231916		Output Flange Washer
30	1	215634	C	Output Flange Nut

% - Part Stock Recommendation

T16000

OUTPUT SHAFT WITH INTERNAL DISCONNECT GROUP



CLARK-HURTH
COMPONENTS

Date : 11.06.97

Revised :

CLARK MODEL : 4500707 GROUP

T16000

OUTPUT SHAFT WITH INTERNAL DISCONNECT GROUP

<u>Item</u>	<u>Qty</u>	<u>Part N°</u>	<u>%</u>	<u>Description</u>
1	1	4203999	E	Rear Output Shaft Drum & Plug Assembly
2	1	4203742		Clutch Piston & Seals Ass'y. - Incl. Items 3 And 4
3	1	237032		Clutch Piston Outer Seal - Incl. In Item 2
4	1	234113		Clutch Piston Inner Seal - Incl. In Item 2
5	1	4203876		Clutch Piston Wear Plate
6	1	4203878		Piston Return Spring
7	1	4203877		Spring Retainer
8	1	234350		Retainer Snap Ring
9	1	4204275		Clutch Outer Half Disc
10	12	4204276		Clutch Inner Disc
11	11	4204274		Clutch Outer Disc
12	1	4204275		Clutch Outer Half Disc
13	1	4204253		Clutch Disc Backing Plate
14	1	4204278		Clutch Disc Backing Plate Spacer
15	1	234111		Clutch Disc Backing Plate Snap Ring
16	1	5JM65	C	Gear Retainer Snap Ring
17	1	4203983		Lower Output Gear (39T)
18	1	5JM65		Gear Retainer Ring
19	1	5JM60		Gear Retainer Ring
20	1	4204260		Output Shaft Rear Bearing
21	1	5JM60		Output Shaft Rear Bearing Snap Ring
22	3	4203898		Output Shaft Piston Ring
23	1	4204261	E	Front Output Shaft Assembly - Incl. Item 24
24	2	4203903	C	Output Shaft Bushing - Incl. In Item 23
25	1	249936		Gear Retainer Snap Ring
26	1	4203988		Disconnect Hub
27	1	7JM100	C	Retainer Ring
28	1	225874	C	Output Shaft Front Bearing
29	1	4203852	E	Front Output Flange (Yoke 1410) NOT AS SHOWN
30	1	25K60128		Output Flange "O" Ring
31	1	231916		Output Flange Washer



Date : 11.06.97

Revised :

CLARK MODEL : 4500707

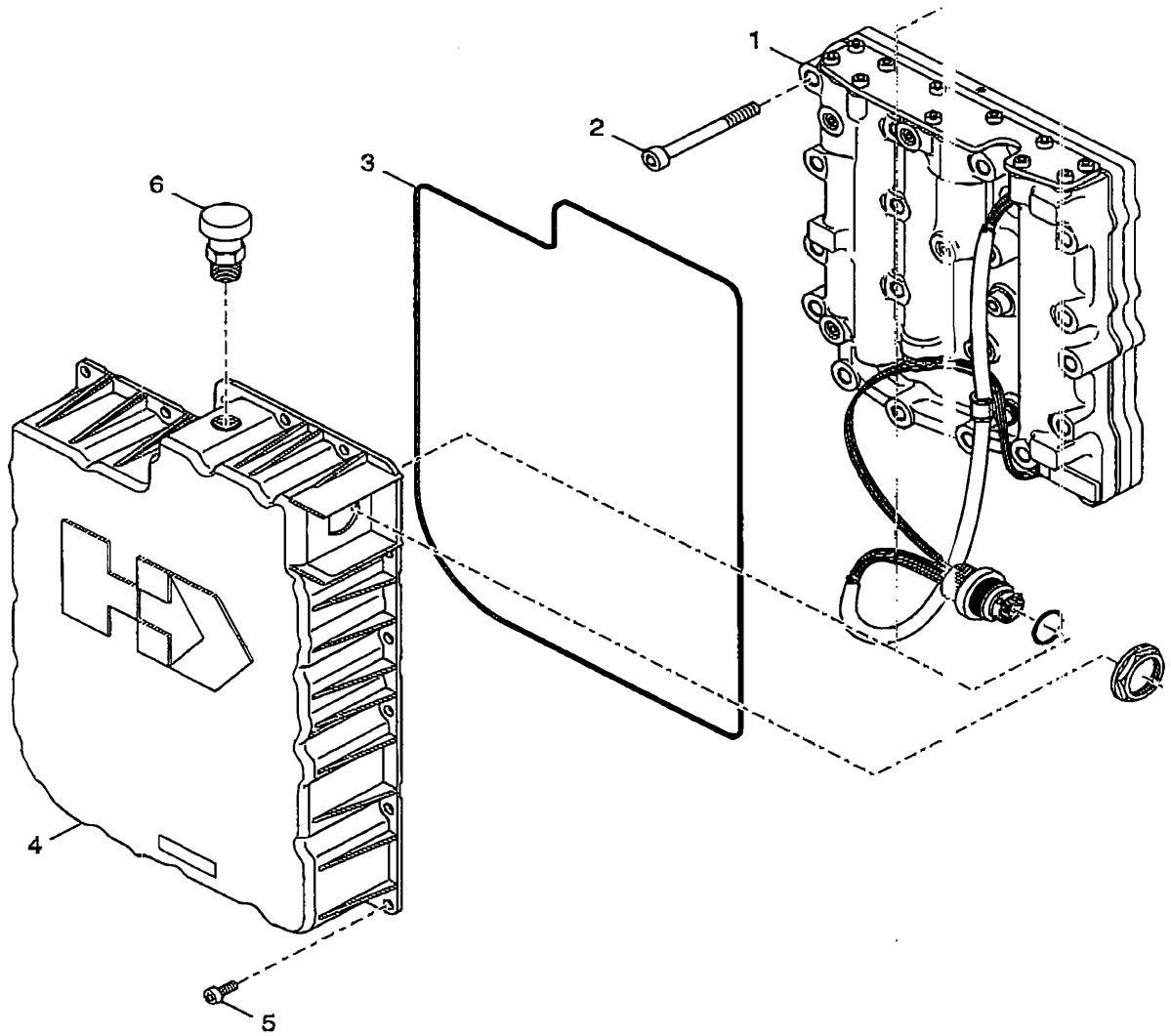
GROUP

<u>Item</u>	<u>Qty</u>	<u>Part N°</u>	<u>%</u>	<u>Description</u>
32	1	215634		Output Flange Nut

% - Part stock recommendation

T16000

CONTROL VALVE MOUNTING GROUP



CLARK-HURTH

COMPONENTS

Date : 21.01.97

Revised :

CLARK MODEL : 4500698

GROUP

T16000

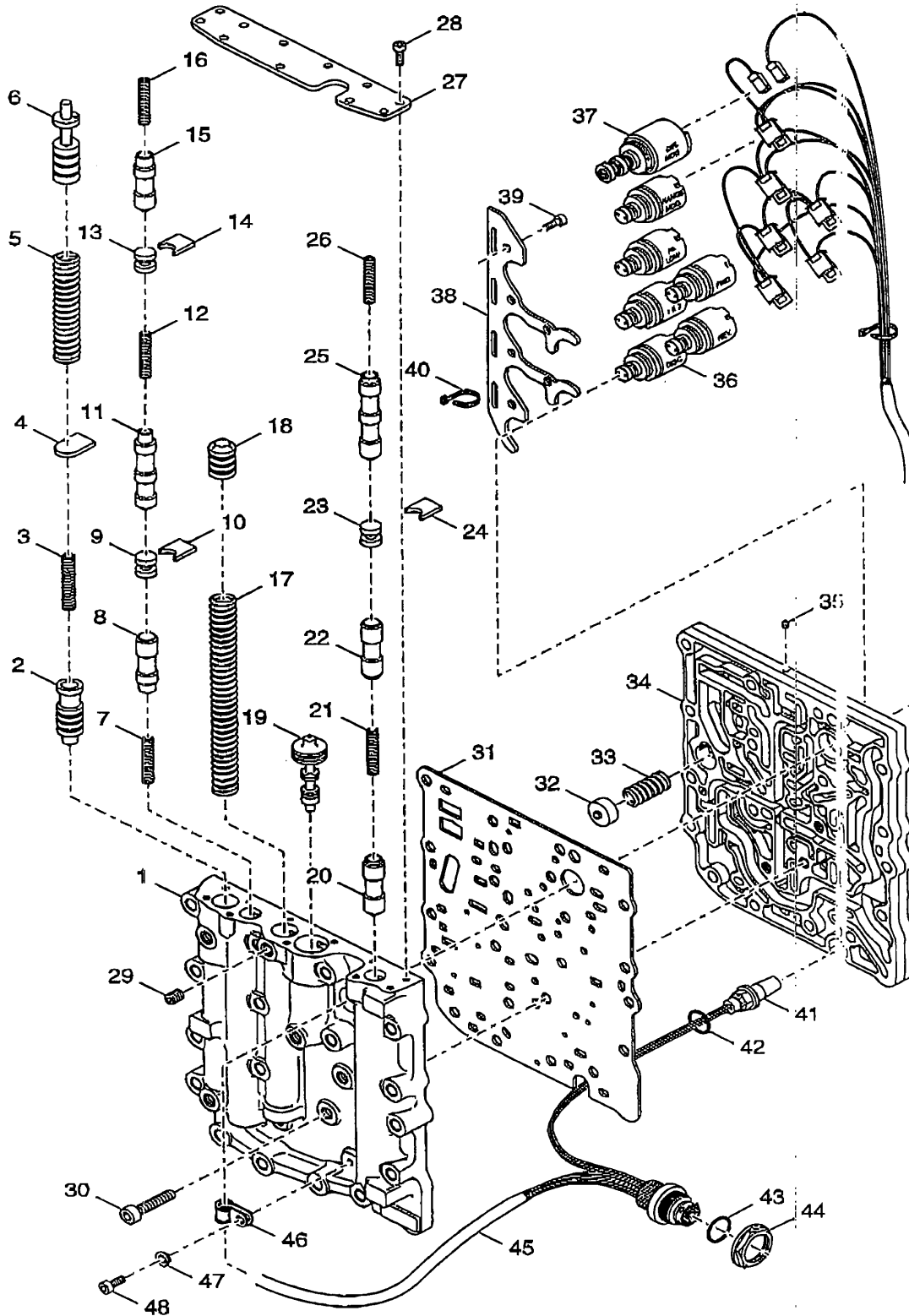
CONTROL VALVE MOUNTING GROUP

<u>Item</u>	<u>Qty</u>	<u>Part N°</u>	<u>%</u>	<u>Description</u>
1	1	4204262	E	Control Valve Assembly
2	17	1GM865		Control Valve Mounting Screw
3	1	4203922	B	Control Valve Protection Cover Seal
4	1	4204264		Control Valve Protection Cover Assembly - Incl. Item 6
5	20	1GM612		Protection Cover Screw
6	1	238535	D	Air Breather - Part Of Item 4

% - Part Stock Recommendation

T16000

CONTROL VALVE ASSEMBLY





SPICER CLARK-HURTH

Date: 21/01/97

Revised : 04.02.99

CLARK MODEL : 4204262

OAF
GROUP

T16000

CONTROL VALVE ASSEMBLY

<u>Item</u>	<u>Qty</u>	<u>Part Number</u>	<u>%</u>	<u>Description</u>
1	1	N.S.S.		Spool Body
2	1	N.S.S.		Pressure Reducer Spool
3	1	N.S.S.		Pressure Reducer Spring
4	1	N.S.S.		Separator Plate
5	1	N.S.S.		Pressure Regulator Spring
6	1	N.S.S.		Pressure Regulator Spool
7	1	N.S.S.		Pilot Spool Spring
8	1	N.S.S.		Disconnect Spool
9	1	N.S.S.		Spool Stop
10	1	N.S.S.		Separator Plate
11	1	N.S.S.		1 st / 2 nd Spool
12	1	N.S.S.		Pilot Spool Spring
13	1	N.S.S.		Spool Stop
14	1	N.S.S.		Separator Plate
15	1	N.S.S.		Range Modulation Spool
16	1	N.S.S.		Pilot Spool Spring
17	1	N.S.S.		Accumulator Spring
18	1	N.S.S.		Accumulator Spool
19	1	N.S.S.		Booster Spool
20	1	N.S.S.		Reverse Spool
21	1	N.S.S.		Pilot Spool Spring
22	1	N.S.S.		Forward Spool
23	1	N.S.S.		Spool Stop
24	1	N.S.S.		Separator Plate
25	1	N.S.S.		Fwd. Low / Fwd. High. Spool
26	1	N.S.S.		Pilot Spool Spring
27	1	N.S.S.		Spool Cover
28	11	1GM512		Spool Cover Screw

N.S.S. - Not Sold Separately
% - Part Stock Recommendation



SPICER CLARK-HURTH

Date: 21/01/97

Revised : 04.02.99

OAOF

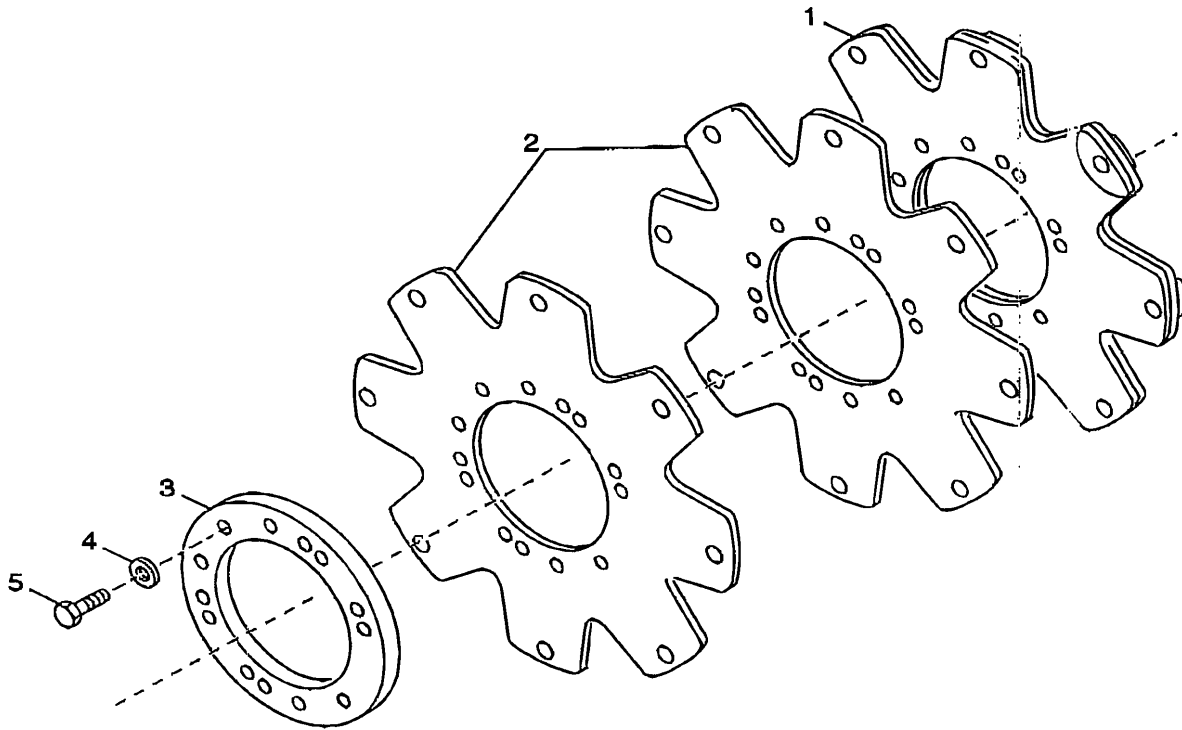
CLARK MODEL : 4204262

GROUP

<u>Item</u>	<u>Qty</u>	<u>Part Number</u>	<u>%</u>	<u>Description</u>
29	2	239244		Check Port Plugs
30	3	1GM830		Spool Body To Solenoid Plate Screw
31	1	N.S.S.		Spacer Plate
32	1	4203943		Bypass Valve Spool
33	1	4203944		Bypass Valve Spring
34	1	N.S.S.		Solenoid Plate
35	6	4203975		Plug
36	6	4203147		Solenoid
37	1	4203146		Electronic Controlled Modulation Valve
38	1	N.S.S.		Solenoid Clamp
39	6	1GM512		Solenoid Clamp Screw
40	6	4202198		Wiring Strap
41	1	4205006		Speed Sensor
42	1	60K30022	B	Speed Sensor "O" Ring
43	1	60K40030	B	Jam Nut "O" Ring
44	1	N.S.S.		Jam Nut
45	1	4205007		Wiring Harness, "O" Rings, Jam Nut And Speed Sensor Ass'y. Incl. Items 41, 42, 43 And 44
46	1	4203974		Wiring Clamp
47	1	1EM50		Clamp Screw LockWasher
48	1	1GM510		Clamp Screw
49	1	4204262		Control Valve Assembly – Including Items 1 Thru 48

T16000

DRIVE PLATE GROUP



CLARK-HURTH
COMPONENTS

Date : 25.04.96

Revised :

CLARK MODEL : 2671/96

GROUP

T16000

DRIVE PLATE GROUP

<u>Item</u>	<u>Qty</u>	<u>Part N°</u>	<u>%</u>	<u>Description</u>
1	1	802424	D	Drive Plate Assembly Kit - Including Items 2 Thru 5
2	2	N.S.S.		Drive Plate - Including In Item 1
3	1	246615	B	Drive Plate Backing Ring
4	6	4E6		Drive Plate Mounting Screw Lockwasher
5	6	2C610		Drive Plate Mounting Screw

N.S.S. - Not Sold Separately

% - Part Stock Recommendation



PART STOCK RECOMMENDATION

A minimum spare parts inventory recommendation is incorporated in this illustrated service parts list and is designated by a letter.

The following listing indicates the percentage factor in letter code which should be used in determining your stocking quantities. Any quantity less than 1 or partial quantities need not be stocked.

A.	15%
B.	10%
C.	6%
D.	4%
E.	2%

- EXAMPLE 1:** Letter Code "E" = 2%
 Part quantity per unit 1
 If field population or quantity units = 75
 Recommended stock is 75 units x 1 per unit x .02 = 1.5 or 1 part minimum stock.
- EXAMPLE 2:** Letter Code "B" = 10%
 Part quantity per unit 4
 If field population or quantity units = 66
 Recommended stock is 66 units x 4 per unit x .10 = 26.4 or 26 parts minimum stock.
- EXAMPLE 3:** Letter Code "D" = 4%
 Part quantity per unit is AR. Parts quantities denoted by AR (as required) such as shims, should be ordered by a quantity of 3 times the percentage factor.
 If field population or quantity units = 42
 Recommended stock is 42 units x 3 factor x .04 = 5.04 or 5 parts minimum stock.
- EXAMPLE 4:** Letter Code "C" = 6%
 Part quantity per unit 2
 If field population or quantity units = 203
 Recommended stock is 203 units x 2 per unit x .06 = 24.4 or 24 parts minimum stock.

NOTE: ADD PART QUANTITIES PER UNIT TIMES FIELD POPULATION WHEN ORDERING STOCK PARTS.