



SPICER CLARK-HURTH

SERVICE PARTS LIST

SPICER OFF HIGHWAY PRODUCTS

MODEL NUMBER: 1111~~F~~T16000-15

PART NUMBER: 4261232

SERVICE DEPARTMENT
STATESVILLE, N.C. USA

CLARK-HURTH

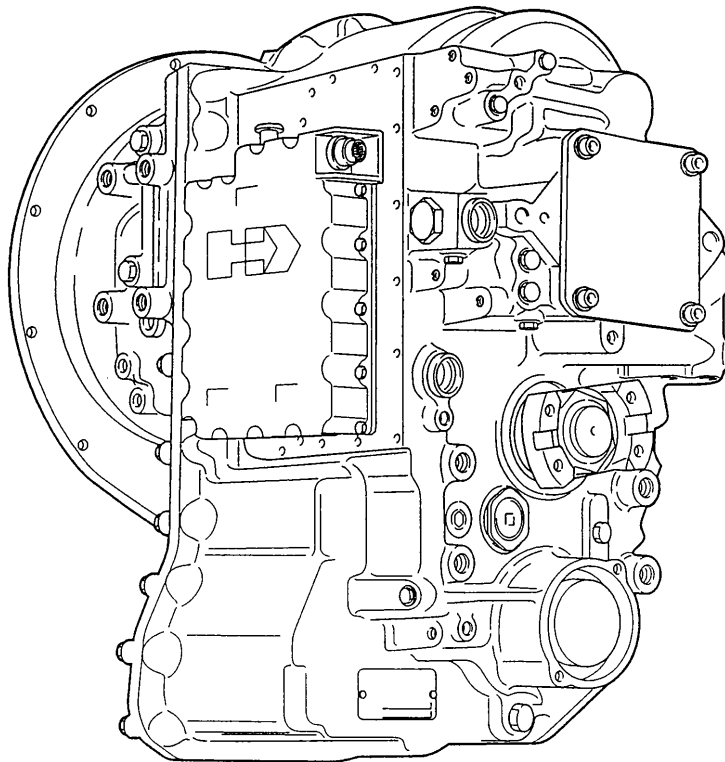
COMPONENTS

MODEL NO. 1111FT16000-15

PART NO. 4261232

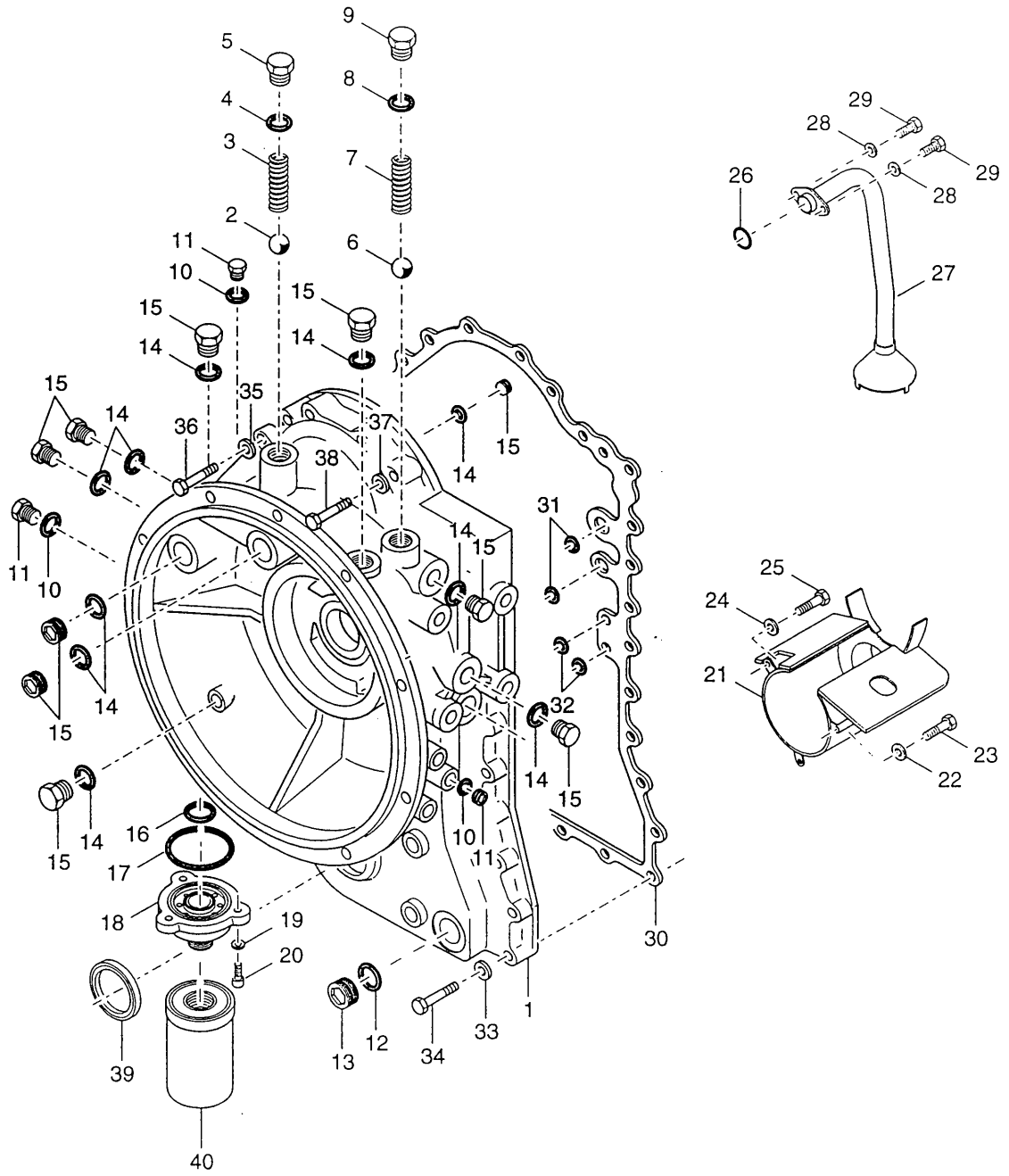
DATE 22-10-97

T16000



T16000

CONVERTER HOUSING GROUP



T16000

CONVERTER HOUSING GROUP

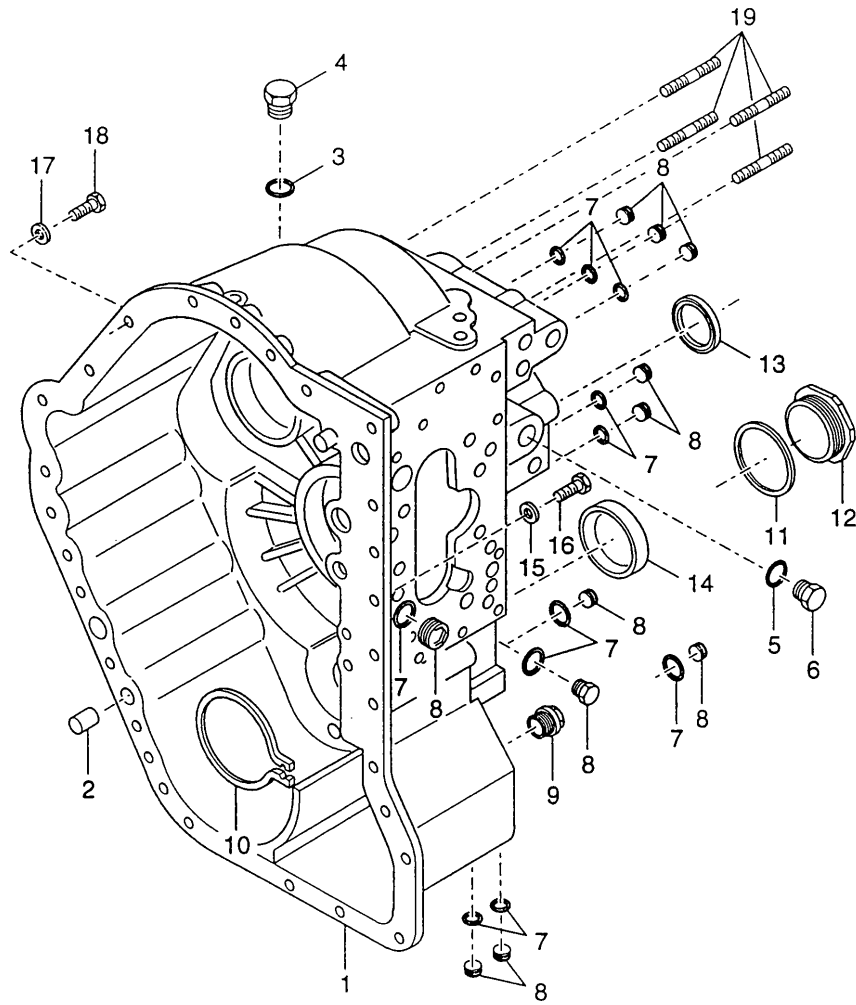
<u>Item</u>	<u>Qty</u>	<u>Part N°</u>	<u>%</u>	<u>Description</u>
1	1	4203970	E	Converter Housing Assembly
2	1	10J24		Ball
3	1	4204243		By-pass Spring
4	1	76K119		Plug "O" Ring - Part Of Item 5
5	1	4204244		Plug - Including Item 4
6	1	19JM250		Ball
7	1	4203857		Safety Valve Spring
8	1	76K123		Plug "O" Ring - Part Of Item 9
9	1	4203848		Plug - Including Item 8
10	3	76K11		Plug "O" Ring - Part Of Item 11
11	3	4203846		Plug - Including Item 10
12				Not Used On This Model
13				Not Used On This Model
14	10	76K116		Plug "O" Ring - Part Of Item 15
15	10	4203847		Plug - Including Item 14
16	1	4204245	B	Filter Adaptor "O" Ring
17	1	25K030228	B	Filter Adaptor "O" Ring
18	1	4203643		Filter Adaptor
19	3	6EM100		Filter Adaptor Screw Lockwasher
20	3	1GM1025		Filter Adaptor Screw
21	1	4204313		Oil Baffle
22	2	6EM100		Oil Baffle Mounting Screw Lockwasher
23	2	1GM1016		Oil Baffle Mounting Screw
24	1	6EM100		Oil Baffle Mounting Screw Lockwasher
25	1	1CM1016		Oil Baffle Mounting Screw
26	1	76K218	B	Suction Tube "O" Ring
27	1	4204237		Suction Tube Assembly
28	2	6EM100		Suction Tube Mounting Screw Lockwasher
29	2	1GM1016		Suction Tube Mounting Screw
30	1	4203901	B	Converter Housing To Transmission Case Gasket
31	2	60K020026	B	Converter Housing To Transmission Case "O" Ring
32	2	76K13	B	Converter Housing To Transmission Case "O" Ring

<u>Item</u>	<u>Qty</u>	<u>Part N°</u>	<u>%</u>	<u>Description</u>
33	14	6EM100		Converter Hsg. To Transm. Case Screw Lockwasher
34	14	7CM1050		Converter Hsg. To Transm. Case Screw
35	1	6EM100		Converter Hsg. To Transm. Case Screw Lockwasher
36	1	7CM1030		Converter Hsg. To Transm. Case Screw
37	5	6EM100		Converter Hsg. To Transm. Case Screw Lockwasher
38	5	7CM1080		Converter Hsg. To Transm. Case Screw
39	1	4203860	B	Output Shaft Seal (Front)
40	1	4203691	B	Filter Assembly

.% Part stock recommendation

T16000

TRANSMISSION CASE GROUP



T16000

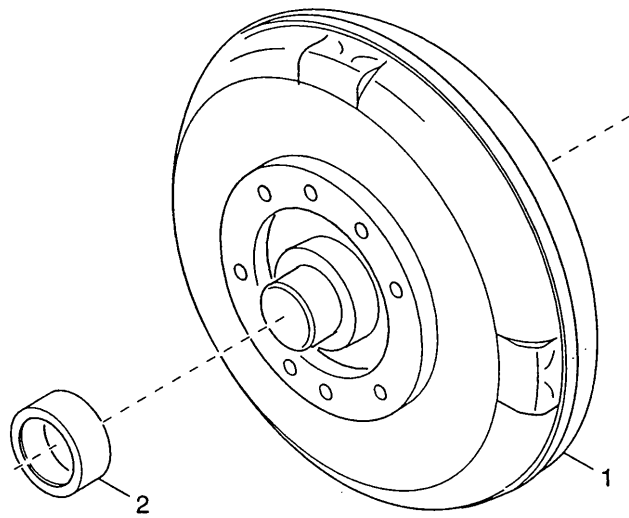
TRANSMISSION CASE GROUP

<u>Item</u>	<u>Qty</u>	<u>Part N°</u>	<u>%</u>	<u>Description</u>
1	1	4204247	E	Transmission Case Assembly
2	2	4203907		Transmission Case To Converter Housing Pin
3	1	76K116		Plug "O" Ring - Part Of Item 4
4	1	4203847		Plug - Including Item 3
5	1	76K210		Plug "O" Ring - Part Of Item 6
6	1	4203849		Plug - Including Item 5
7	11	76K11		Plug "O" Ring - Part Of Item 8
8	11	4203846		Plug - Including Item 7
9	1	81901.610.01		Magnetic Drain Plug
10	1	234229		Output Shaft Rear Bearing Snap Ring
11	1	219373	B	Plug Gasket
12	1	4204249		Plug
13	1	4203860		Output Shaft Seal (Rear)
14	1	4204250		Output Shaft Bore Plug
15	5	6EM100		Converter Hsg. To Transm. Case Screw Lockwasher
16	5	7CM1030		Converter Hsg. To Transm. Case Screw
17	4	6EM100		Converter Hsg. To Transm. Case Screw Lockwasher
18	4	7CM1030		Converter Hsg. To Transm. Case Screw
19	4	4204248		Stud

% - Part Stock Recommendation

T16000

TORQUE CONVERTER GROUP



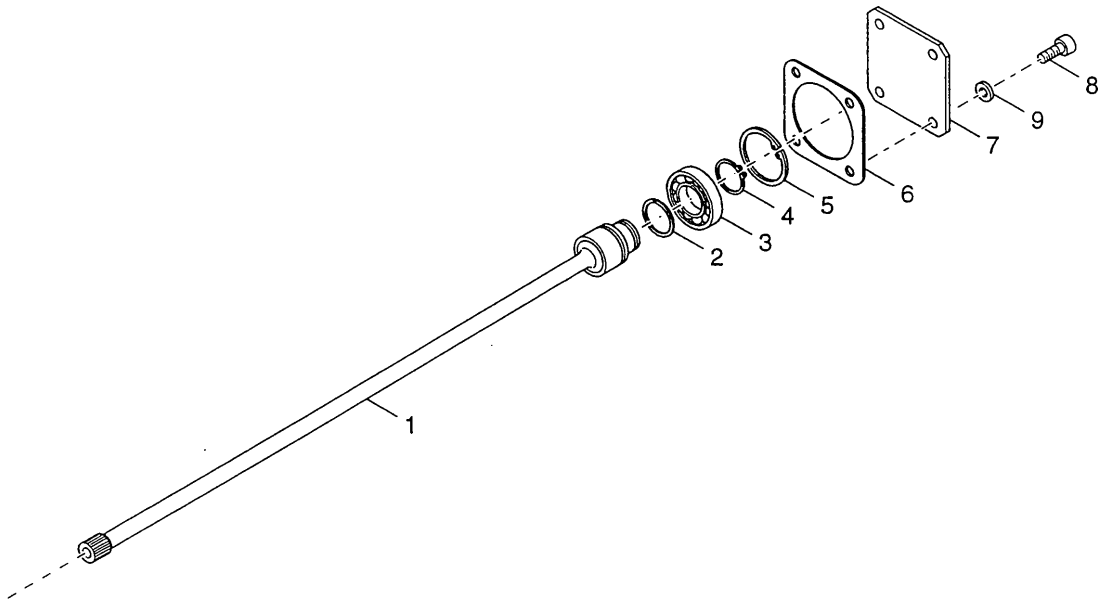
T16000

TORQUE CONVERTER GROUP

<u>Item</u>	<u>Qty</u>	<u>Part N°</u>	<u>%</u>	<u>Description</u>
1	1	4203961	E	Torque Converter & Bushing Assembly - Including Item 2
2	1	4203949		Torque Converter Pilot Bushing - Including In Item 1

% - Part Stock Recommendation

T16000
PUMP DRIVE GROUP



T16000

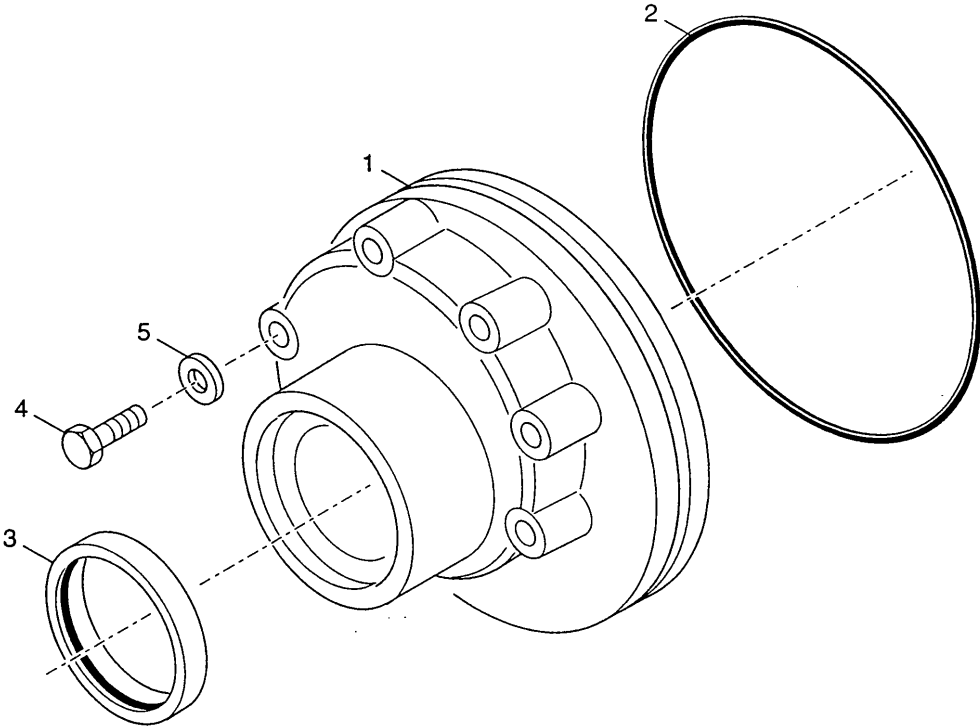
PUMP DRIVE GROUP

<u>Item</u>	<u>Qty</u>	<u>Part N°</u>	<u>%</u>	<u>Description</u>
1	1	4204235	E	Pump Drive Shaft
2	1	4203867	B	Piston Ring
3	1	230829	D	Pump Drive Shaft Bearing
4	1	5JM40		Pump Drive Shaft Bearing Snap Ring
5	1	7JM68		Pump Drive Shaft Bearing Retaining Ring
6	1	4201747	B	Pump Hole Cover Gasket
7	1	216355		Pump Hole Cover
8				Not Used On This Model
9	4	4E8		Pump Hole Cover Stud Nut Lockwasher
10	4	4204273		Pump Hole Cover Spacer Not Illustrated (for shipping)
11	4	62D8		Pump Hole Cover Stud Nut Not Illustrated (for shipping)
12	4	4204280		Aux. Pump Mounting Stud Nut Not Illustrated

% - Part Stock Recommendation

T16000

CHARGING PUMP GROUP



T16000

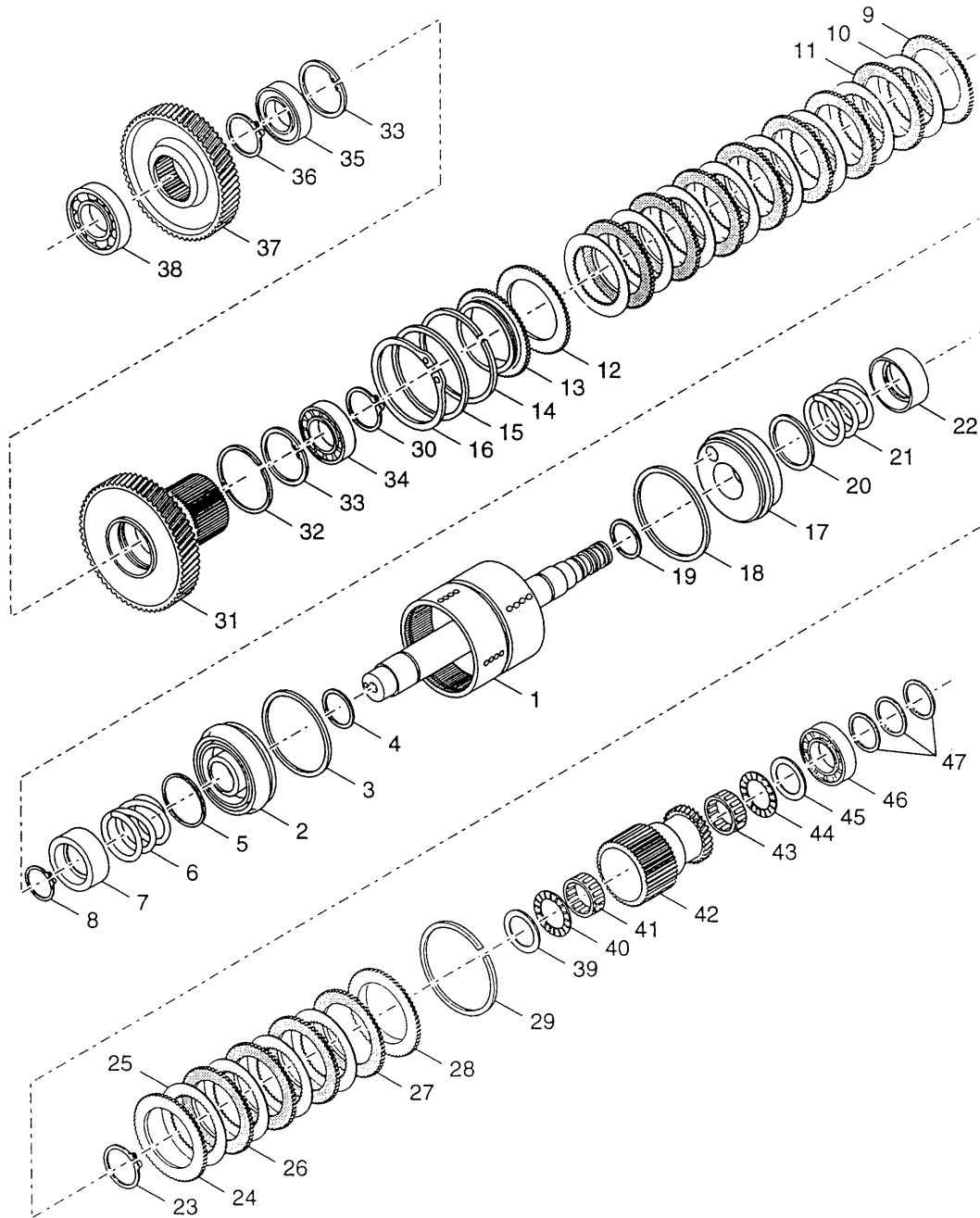
CHARGING PUMP GROUP

<u>Item</u>	<u>Qty</u>	<u>Part N°</u>	<u>%</u>	<u>Description</u>
1	1	4203850	D	Charging Pump Assembly - Including Items 2 And 3
2	1	4203844	B	Charging Pump "O" Ring
3	1	4204279	B	Charging Pump Oil Seal
4	6	1CM855		Charging Pump Mounting Screw <i>1CM855 M-8</i>
5	6	4203428		Charging Pump Mounting Screw Seal Washer

% - Part Stock Recommendation

T16000

FWD LOW / FWD HIGH SHAFT AND GEARS GROUP



T16000

FWD LOW / FWD HIGH SHAFT AND GEARS GROUP

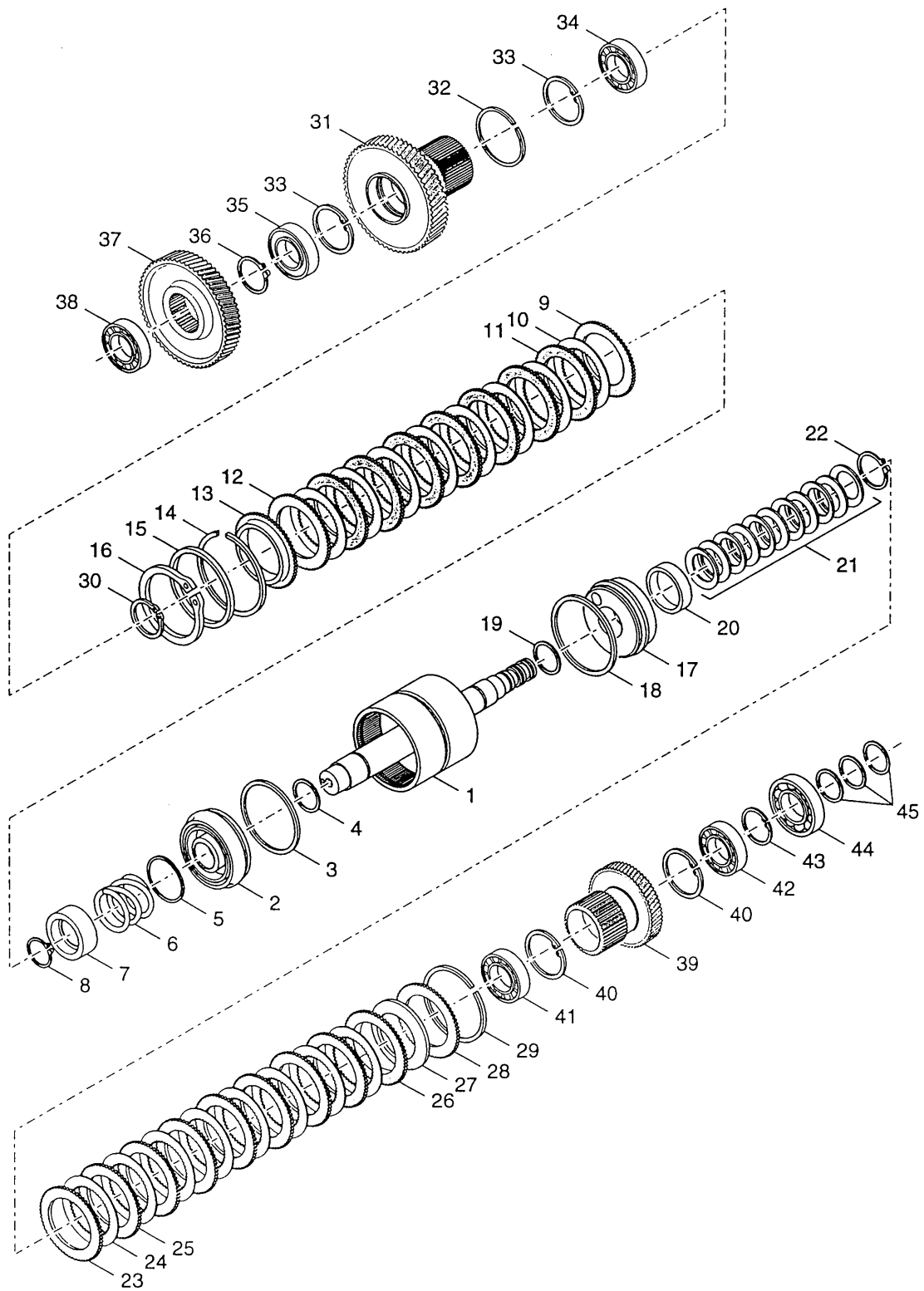
<u>Item</u>	<u>Qty</u>	<u>Part N°</u>	<u>%</u>	<u>Description</u>
1	1	4204295	E	Fwd Low / Fwd High Shaft Drum & Plug Ass'y.
2	1	4203742	C	Clutch Piston & Seals Ass'y. - Incl. Items 3 And 4
3	1	237032	B	Clutch Piston Outer Seal - Incl. In Item 2
4	1	234113	B	Clutch Piston Inner Seal - Incl. In Item 2
5	1	4203876	D	Clutch Piston Wear Plate
6	1	4203878	D	Piston Return Spring
7	1	4203877	D	Spring Retainer
8	1	234350	B	Retainer Snap Ring
9	1	4204265	D	Clutch Outer Half Disc
10	8	4204267	D	Clutch Inner Disc
11	7	4204266	D	Clutch Outer Disc
12	1	4204265		Clutch Outer Half Disc
13	1	4204240	D	Clutch Disc Backing Plate
14	1	234111	C	Clutch Disc Backing Plate Snap Ring
15	1	4204241		Clutch Disc Backing Plate Spacer
16	1	5JM115		Backing Plate Spacer Snap Ring
17	1	4203742		Clutch Piston & Seals Ass'y. - Incl. Items 18 And 19
18	1	237032		Clutch Piston Outer Seal - Incl. In Item 17
19	1	234113		Clutch Piston Inner Seal - Incl. In Item 17
20	1	4203876		Clutch Piston Wear Plate
21	1	4203878		Piston Return Spring
22	1	4203877		Spring Retainer
23	1	234350		Retainer Snap Ring
24	1	4204265		Clutch Outer Half Disc
25	4	4204267		Clutch Inner Disc
26	3	4204266		Clutch Outer Disc
27	1	4204265		Clutch Outer Half Disc
28	1	4204253		Clutch Disc Backing Plate
29	1	234111		Clutch Disc Backing Plate Snap Ring
30	1	5JM50	C	Bearing Snap Ring
31	1	4203987	E	Forward Low Clutch Gear (54T)
32	1	4204255	B	Clutch Gear Piston Ring

<u>Item</u>	<u>Qty</u>	<u>Part N°</u>	<u>%</u>	<u>Description</u>
33	2	7JM80	C	Forward Low Clutch Gear Bearing Locating Ring
34	1	230885	C	Forward Low Clutch Gear Inner Bearing
35	1	4204256	C	Forward Low Clutch Gear Outer Bearing - Shield Out
36	1	5JM50		Bearing Snap Ring
37	1	4203980	E	Forward Driven Gear (42T)
38	1	4204257	C	Fwd Low / Fwd High Shaft Front Bearing
39	1	4203946		Thrust Bearing Spacer
40	1	4203947	C	Forward High Clutch Gear Thrust Bearing
41	1	4203945	C	Forward High Clutch Gear Needle Bearing
42	1	4203985	E	Forward High Clutch Gear (34T)
43	1	4203945		Forward High Clutch Gear Needle Bearing
44	1	4203947		Forward High Clutch Gear Thrust Bearing
45	1	4203946		Thrust Bearing Spacer
46	1	237972	C	Fwd Low / Fwd High Shaft Rear Bearing
47	3	4203872	B	Fwd Low / Fwd High Shaft Piston Ring

% - Part stock recommendation

T16000

REVERSE / 1ST SHAFT AND GEARS GROUP



T16000

REVERSE / 1ST SHAFT AND GEARS GROUP

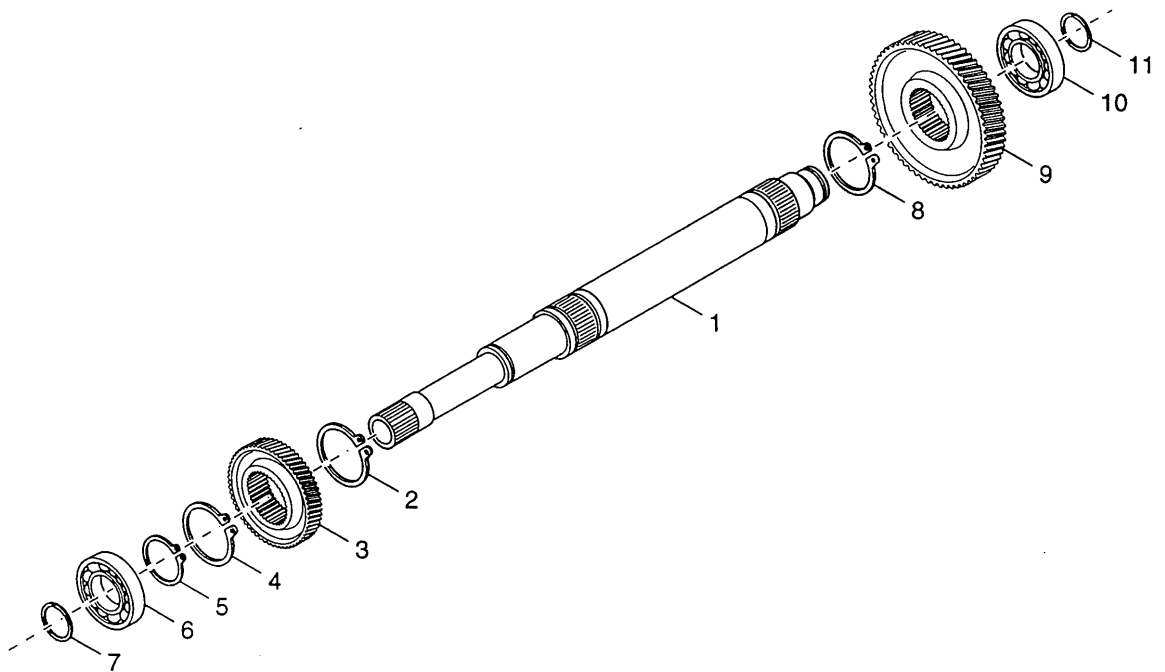
<u>Item</u>	<u>Qty</u>	<u>Part N°</u>	<u>%</u>	<u>Description</u>
1	1	4204298	E	Reverse / 1st Shaft Drum & Plug Ass'y.
2	1	4203742		Clutch Piston & Seals Ass'y. - Incl. Items 3 And 4
3	1	237032		Clutch Piston Outer Seal - Incl. In Item 2
4	1	234113		Clutch Piston Inner Seal - Incl. In Item 2
5	1	4203876		Clutch Piston Wear Plate
6	1	4203878		Piston Return Spring
7	1	4203877		Spring Retainer
8	1	234350		Retainer Snap Ring
9	1	4204265		Clutch Outer Half Disc
10	8	4204267		Clutch Inner Disc
11	7	4204266		Clutch Outer Disc
12	1	4204265		Clutch Outer Half Disc
13	1	4204240		Clutch Disc Backing Plate
14	1	234111		Clutch Disc Backing Plate Snap Ring
15	1	4204241		Clutch Disc Backing Plate Spacer
16	1	5JM115		Backing Plate Spacer Snap Ring
17	1	4203742		Clutch Piston & Seals Ass'y. - Incl. Items 18 And 19
18	1	237032		Clutch Piston Outer Seal - Incl. In Item 17
19	1	234113		Clutch Piston Inner Seal - Incl. In Item 17
20	1	4204300		Clutch Piston Wear Plate
21	1	4203887		Piston Return Spring (Belleville Washer)
22	1	234350		Snap Ring
23	1	4204265		Clutch Outer Half Disc
24	8	4204267		Clutch Inner Disc
25	7	4204266		Clutch Outer Disc
26	1	4204265		Clutch Outer Half Disc
27	1	4203880	D	Modulation Spring
28	1	4204253		Clutch Disc Backing Plate
29	1	234111		Clutch Disc Backing Plate Snap Ring
30	1	5JM50		Bearing Snap Ring
31	1	4203987		Reverse Clutch Gear (54T)
32	1	4204255		Clutch Gear Piston Ring

<u>Item</u>	<u>Qty</u>	<u>Part N°</u>	<u>%</u>	<u>Description</u>
33	2	7JM80		Reverse Clutch Gear Locating Ring
34	1	230885		Reverse Clutch Gear Inner Bearing
35	1	4204256		Reverse Clutch Gear Outer Bearing - Shield Out
36	1	5JM50		Bearing Snap Ring
37	1	4203981	E	Reverse Driven Gear (50T)
38	1	4204257		Reverse / 1st Shaft Front Bearing
39	1	4203986	E	1st Clutch Gear (30T)
40	2	7JM75	C	1st Clutch Gear Bearing Locating Ring
41	1	230860	C	1st Clutch Gear Inner Bearing
42	1	233390	C	1st Clutch Gear Outer Bearing - Shield Out
43	1	5JM45	C	Bearing Snap Ring
44	1	501.0118	C	Reverse / 1st Shaft Rear Bearing.
45	3	4203872		Reverse / 1st Shaft Piston Ring

% - Part Stock Recommendation

T16000

INPUT SHAFT GROUP



T16000

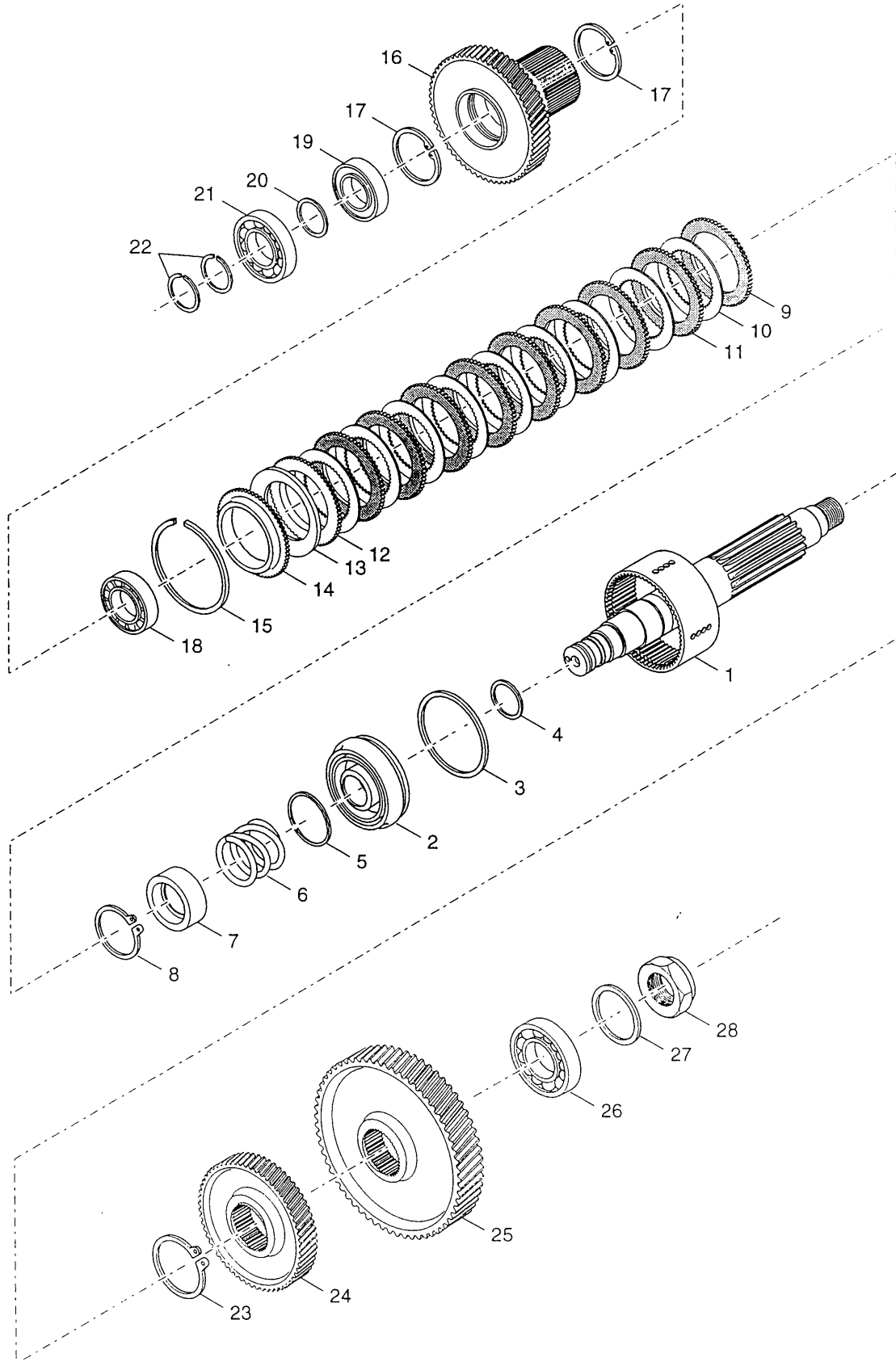
INPUT SHAFT GROUP

<u>Item</u>	<u>Qty</u>	<u>Part N°</u>	<u>%</u>	<u>Description</u>
1	1	4204232	E	Input Shaft
2	1	4204251		Forward Low Gear Gear Snap Ring
3	1	4203978	E	Forward Low Gear (26T)
4	1	5JM50		Forward Low Gear Snap Ring
5	1	5JM40		Input Shaft Front Bearing Snap Ring
6	1	501.0118	D	Input Shaft Front Bearing
7	1	4203872	B	Input Shaft Piston Ring
8	1	5JM50		Forward High Gear Snap Ring
9	1	4203977	E	Forward High Gear (62T)
10	1	501.0118		Input Shaft Rear Bearing
11	1	4203872		Input Shaft Piston Ring

% - Part Stock Recommendation

T16000

2ND SHAFT GROUP



T16000

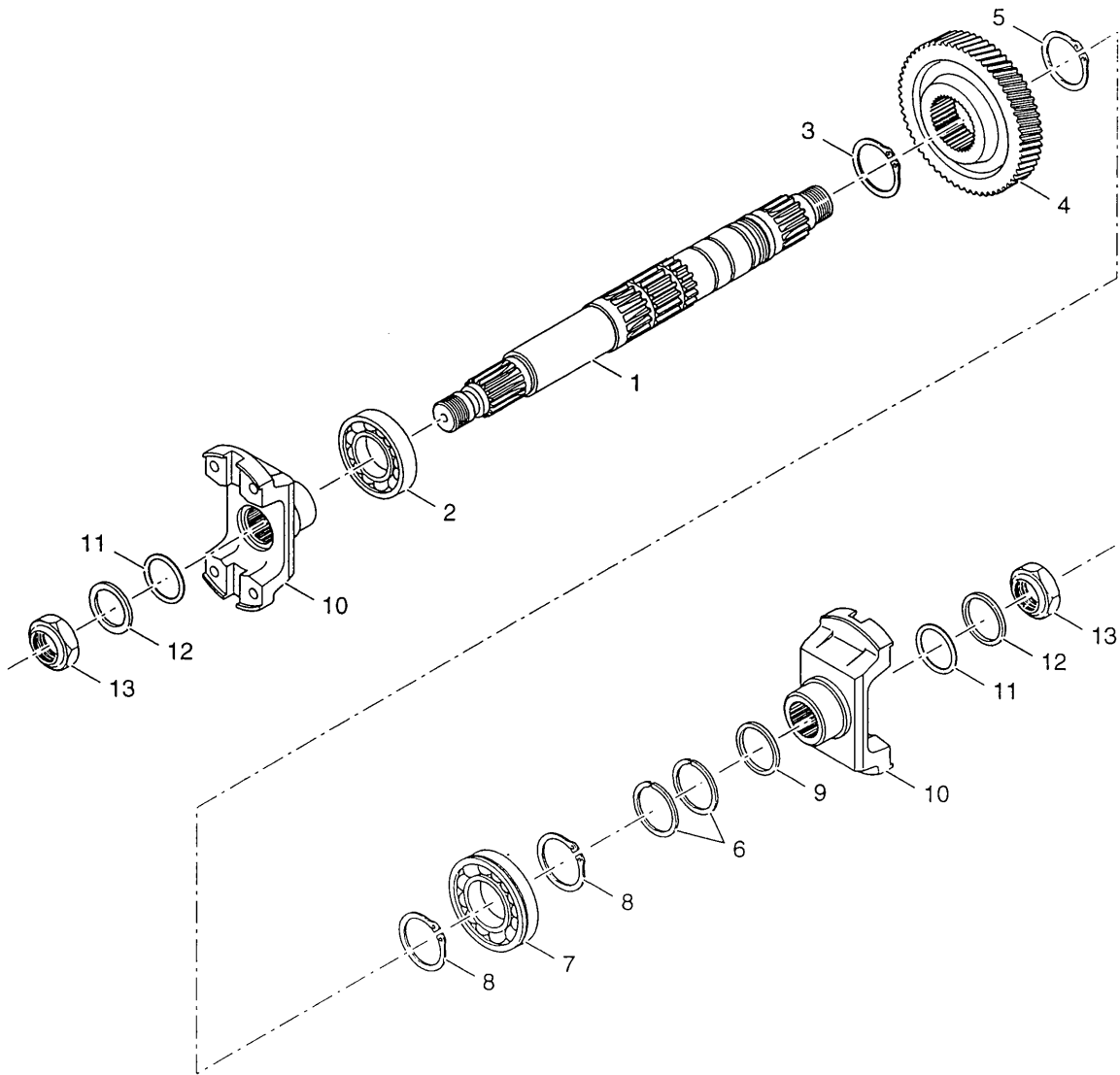
2ND SHAFT GROUP

<u>Item</u>	<u>Qty</u>	<u>Part N°</u>	<u>%</u>	<u>Description</u>
1	1	4204309		2nd Shaft,Hub, Drum And Plug Assembly
2	1	4203742		Clutch Piston & Seals Ass'y. - Incl. Items 3 And 4
3	1	237032		Clutch Piston Outer Seal - Incl. In Item 2
4	1	234113		Clutch Piston Inner Seal - Incl. In Item 2
5	1	4203876		Clutch Piston Wear Plate
6	1	4203878		Piston Return Spring
7	1	4203877		Spring Retainer
8	1	234350		Retainer Snap Ring
9	1	4204265		Clutch Outer half Disc
10	8	4204267		Clutch Inner Disc
11	7	4204266		Clutch Outer Disc
12	1	4204265		Clutch Outer Half Disc
13	1	4203880		Modulation Spring
14	1	4204253		Clutch Disc Backing Plate
15	1	234111		Clutch Disc Backing Plate Snap Ring
16	1	4203984		2nd Clutch Gear (52T)
17	2	7JM75		2nd Clutch Gear Bearing Locating Ring
18	1	230860		2nd Clutch Gear Inner Bearing
19	1	233390		2nd Clutch Gear Outer Bearing - Shield Out
20	1	4203899		Bearing Support Washer
21	1	501.0118		2nd Shaft Front Bearing
22	2	4203872		2nd Shaft Piston Ring
23	1	249936	C	Gear Retainer Snap Ring
24	1	4203979	E	Lower Output Drive Gear (41T)
25	1	4203982	E	Upper Output Gear (59T)
26	1	4204258	C	2nd Shaft Rear Bearing
27	1	231916		Output Flange Washer
28	1	215634	C	Output Flange Nut

% - Part Stock Recommendation

T16000

OUTPUT SHAFT GROUP



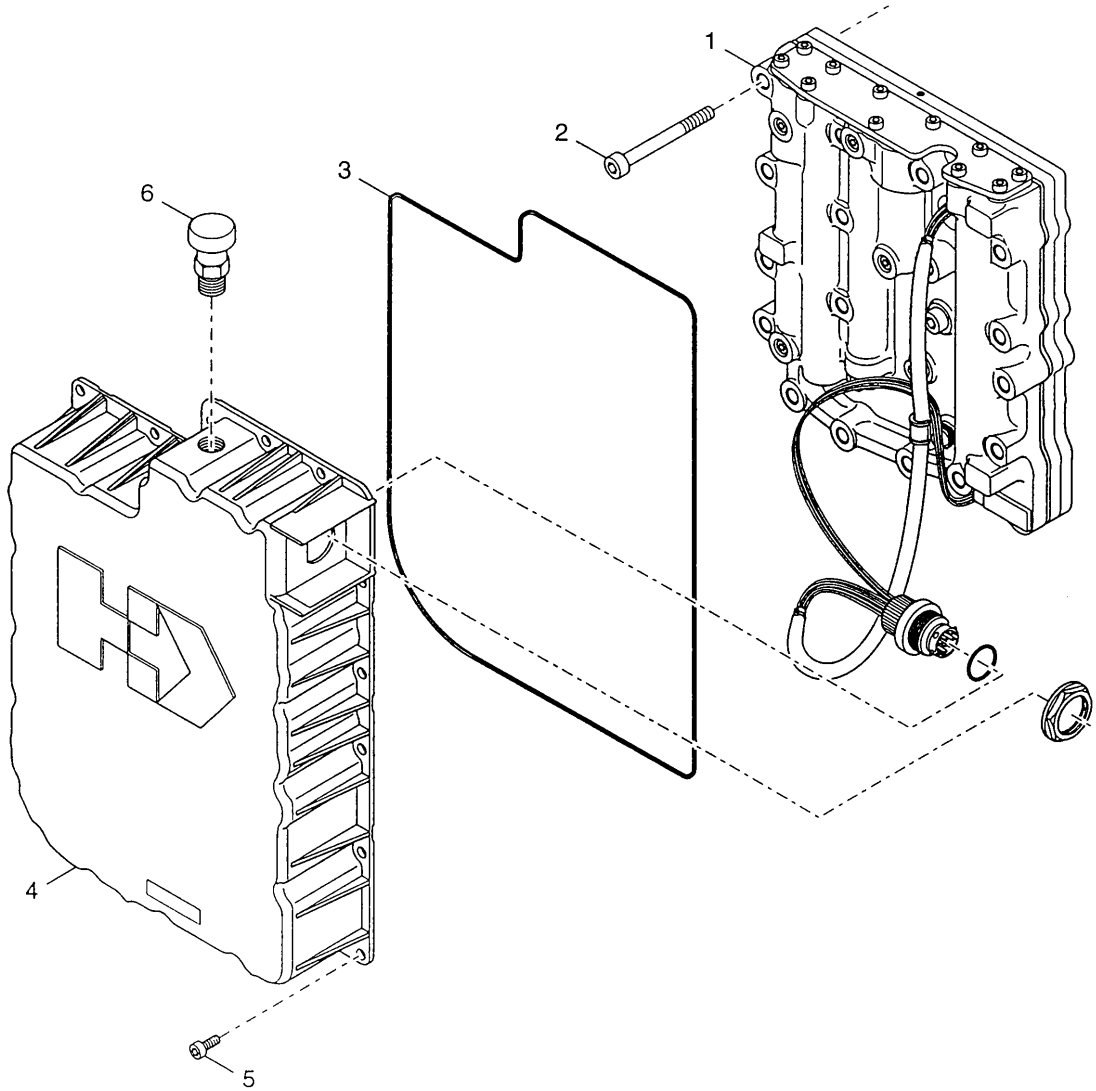
OUTPUT SHAFT GROUP

<u>Item</u>	<u>Qty</u>	<u>Part N°</u>	<u>%</u>	<u>Description</u>
1	1	4204294	E	Output Shaft Assembly
2	1	225874	D	Output Shaft Front Bearing
3	1	5JM65		Snap Ring
4	1	4203983	E	Output Shaft Gear
5	1	5JM65		Snap Ring
6	2	4203898	B	Output Shaft Piston Ring
7	1	4204260	D	Output Shaft Rear Bearing
8	2	5JM60		Snap Ring
9	1	4204282		Output Flange Spacer
10	2	4203853		Output Flange
11	2	25K60128	B	Output Flange "O" Ring
12	2	231916		Output Flange Washer
13	2	215634	C	Ouput Flange Nut

% - Part Stock Recommendation

T16000

CONTROL VALVE MOUNTING GROUP



T16000

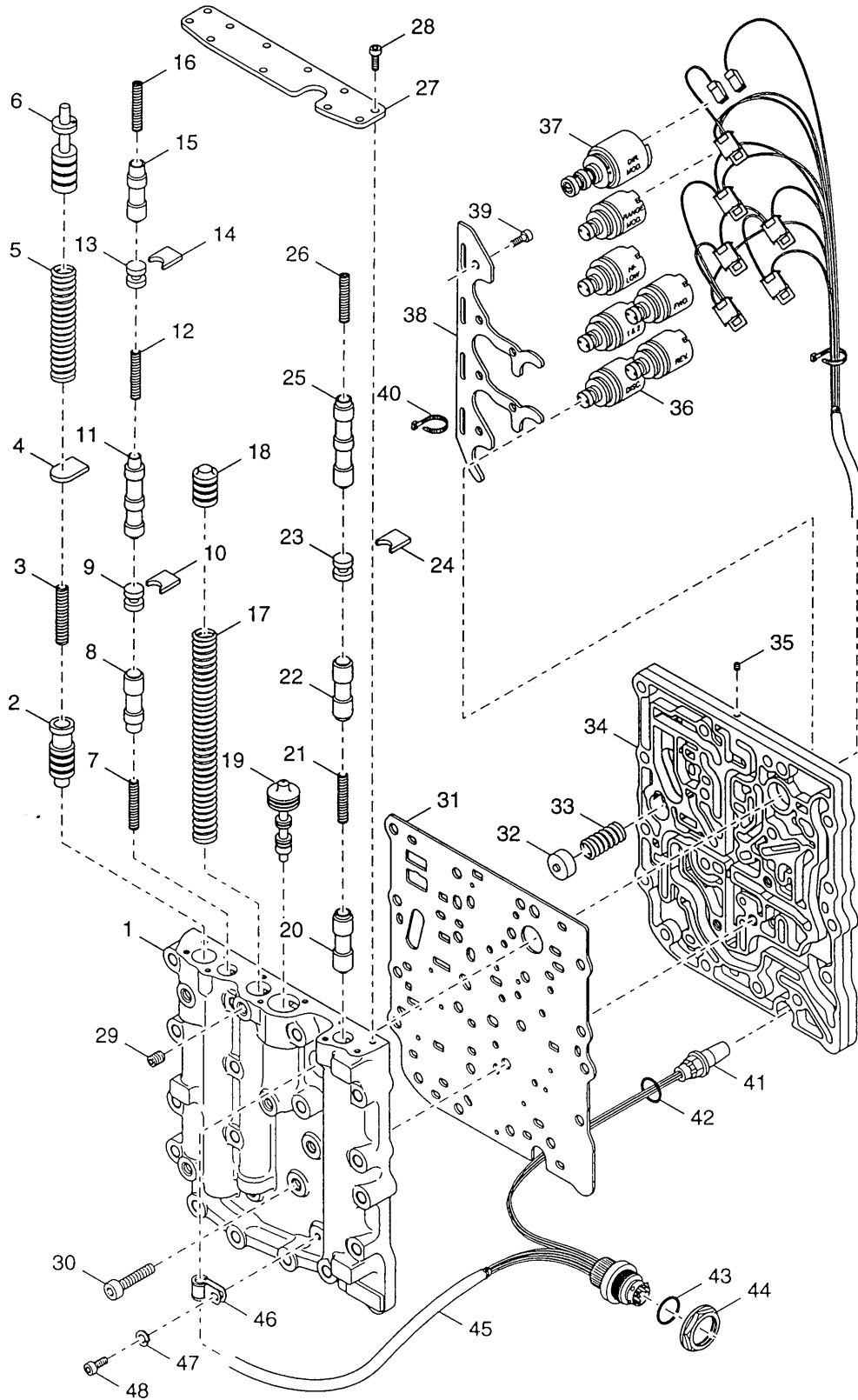
CONTROL VALVE MOUNTING GROUP

<u>Item</u>	<u>Qty</u>	<u>Part N°</u>	<u>%</u>	<u>Description</u>
1	1	4204262	E	Control Valve Assembly
2	17	1GM865		Control Valve Mounting Screw
3	1	4203922	B	Control Valve Protection Cover Seal
4	1	4204264		Control Valve Protection Cover Assembly - Incl. Item 6
5	20	1GM612		Protection Cover Screw
6	1	238535	D	Air Breather - Part Of Item 4

% - Part Stock Recommendation

T16000

CONTROL VALVE ASSEMBLY



T16000

CONTROL VALVE ASSEMBLY

<u>Item</u>	<u>Qty</u>	<u>Part N°</u>	<u>%</u>	<u>Description</u>
1	1	N.S.S.		Spool Body
2	1	N.S.S.		Pressure Reducer Spool
3	1	N.S.S.		Pressure Reducer Spring
4	1	N.S.S.		Separator Plate
5	1	N.S.S.		Pressure Regulator Spring
6	1	N.S.S.		Pressure Regulator Spool
7	1	N.S.S.		Pilot Spool Spring
8	1	N.S.S.		Disconnect Spool
9	1	N.S.S.		Spool Stop
10	1	N.S.S.		Separator Plate
11	1	N.S.S.		1st / 2nd Spool
12	1	N.S.S.		Pilot Spool Spring
13	1	N.S.S.		Spool Stop
14	1	N.S.S.		Separator Plate
15	1	N.S.S.		Range Modulation Spool
16	1	N.S.S.		Pilot Spool Spring
17	1	N.S.S.		Accumulator Spring
18	1	N.S.S.		Accumulator Spool
19	1	N.S.S.		Booster Spool
20	1	N.S.S.		Reverse Spool
21	1	N.S.S.		Pilot Spool Spring
22	1	N.S.S.		Forward Spool
23	1	N.S.S.		Spool Stop
24	1	N.S.S.		Separator Plate
25	1	N.S.S.		Fwd. Low / Fwd. High. Spool
26	1	N.S.S.		Pilot Spool Spring
27	1	N.S.S.		Spool Cover
28	11	1GM512		Spool Cover Screw
29	2	239244		Check Port Plugs
30	3	1GM830		Spool Body To Solenoid Plate Screw
31	1	N.S.S.		Spacer Plate
32	1	4203943		Bypass Valve Spool

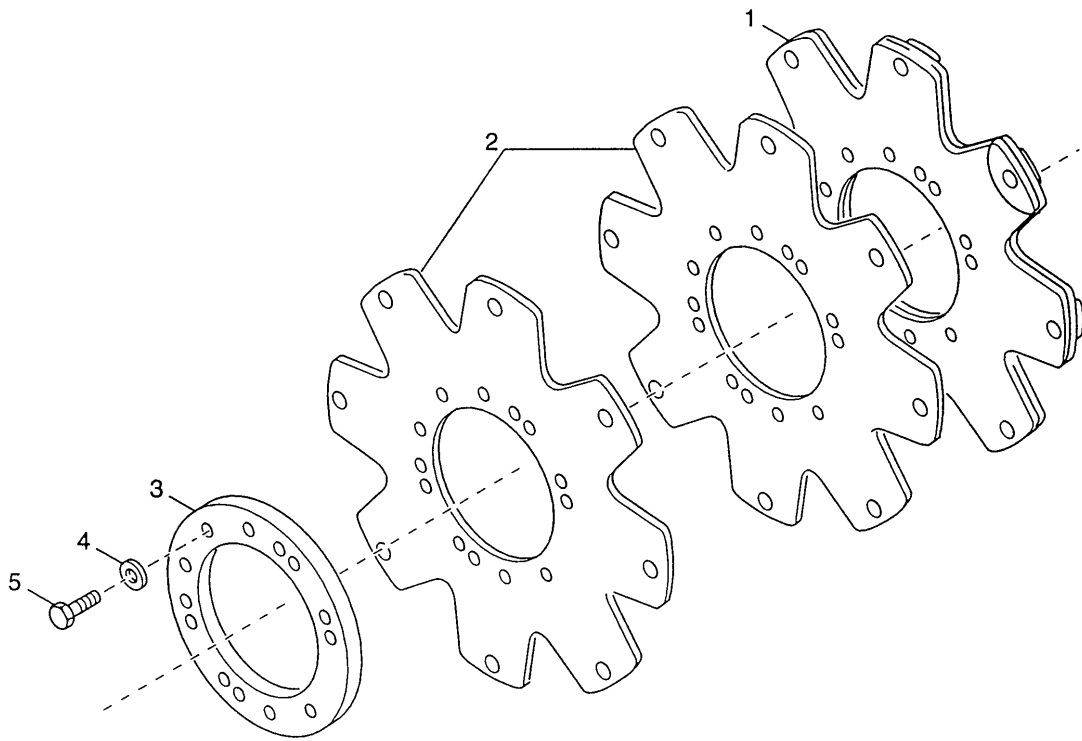
<u>Item</u>	<u>Qty</u>	<u>Part N°</u>	<u>%</u>	<u>Description</u>
33	1	4203944		Bypass Valve Spring
34	1	N.S.S.		Solenoid Plate
35	6	4203975		Plug
36	6	4203147		Solenoid
37	1	4203146		Electronic Controlled Modulation Valve
38	1	N.S.S.		Solenoid Clamp
39	6	1GM512		Solenoid Clamp Screw
40	6	4202198		Wiring Strap
41	1	4203050		Speed Sensor
42	1	25K20024	B	Speed Sensor "O" Ring
43	1	60K40030	B	Jam Nut "O" Ring
44	1	N.S.S.		Jam Nut
45	1	4203909		Wiring Harness, "O" Rings , Jam Nut And Speed Sensor Ass'y. Incl. Items 41,42,43 And 44
46	1	4203974		Wiring Clamp
47	1	8EM50		Clamp Screw LockWasher
48	1	1GM512		Clamp Screw
49	1	4204262		Control Valve Assembly - Including Items 1 Thru 48

N.S.S. - Not Sold Separately

% - Part stock recommendation

T16000

DRIVE PLATE GROUP



T16000

DRIVE PLATE GROUP

<u>Item</u>	<u>Qty</u>	<u>Part N°</u>	<u>%</u>	<u>Description</u>
1	1	802424	D	Drive Plate Assembly Kit - Including Items 2 Thru 5
2	2	N.S.S.		Drive Plate - Including In Item 1
3	1	246615	B	Drive Plate Backing Ring
4	6	4E6		Drive Plate Mounting Screw Lockwasher
5	6	2C610		Drive Plate Mounting Screw

N.S.S. - Not Sold Separately

% - Part Stock Recommendation

A minimum spare parts inventory recommendation is incorporated in this illustrated service parts list and is designated by a letter.

The following listing indicates the percentage factor in letter code which should be used in determining your stocking quantities. Any quantity less than 1 or partial quantities need not be stocked.

A.	15%
B.	10%
C.	6%
D.	4%
E.	2%

- EXAMPLE 1:** Letter Code "E" = 2%
Part quantity per unit 1
If field population or quantity units = 75
Recommended stock is 75 units x 1 per unit x .02 = 1.5 or 1 part minimum stock.
- EXAMPLE 2:** Letter Code "B" = 10%
Part quantity per unit 4
If field population or quantity units = 66
Recommended stock is 66 units x 4 per unit x .10 = 26.4 or 26 parts minimum stock.
- EXAMPLE 3:** Letter Code "D" = 4%
Part quantity per unit is AR. Parts quantities denoted by AR (as required) such as shims, should be ordered by a quantity of 3 times the percentage factor.
If field population or quantity units = 42
Recommended stock is 42 units x 3 factor x .04 = 5.04 or 5 parts minimum stock.
- EXAMPLE 4:** Letter Code "C" = 6%
Part quantity per unit 2
If field population or quantity units = 203
Recommended stock is 203 units x 2 per unit x .06 = 24.4 or 24 parts minimum stock.

NOTE: ADD PART QUANTITIES PER UNIT TIMES FIELD POPULATION WHEN ORDERING STOCK PARTS.